

**Product: MADIA**

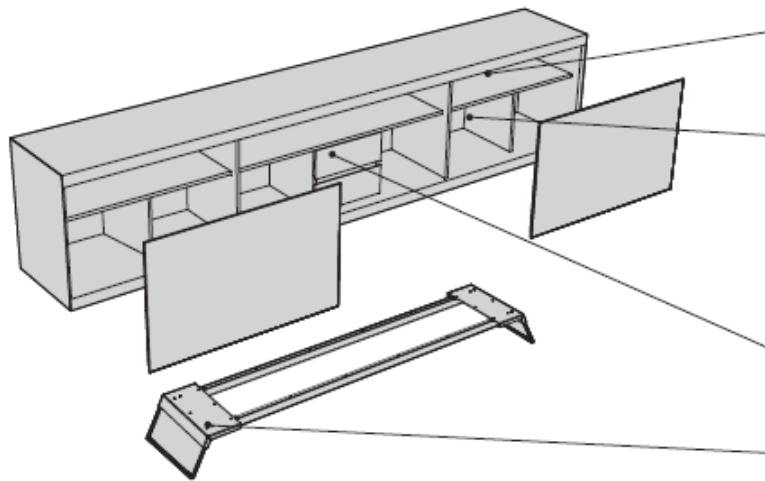
*Aliante* cupboard is suitable for executive representative office. It has a unique design with thick panels and glazed legs. The sliding doors are available in lacquered finish, veneer, Luxury metal, glass or Ceramic.

**TECHNICAL FEATURES**

**Structure:** structure made of chipboard panels in Sablè lacquered or Veneer finish.

**Fronts:** fronts are available in Sablè lacquered, Veneer, Glass, Ceramic and Luxury metal finish.

**Base:** glazed legs with metal support structure.

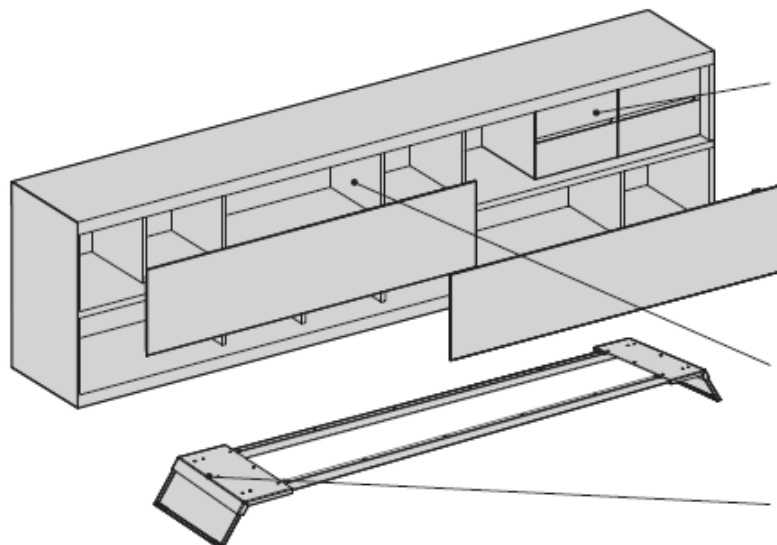


1 shell included for each compartment.

Madias are equipped with 1 dividing panel for each side compartment. W320 (126") madia is also equipped with 2 dividing panels in the central compartment.

W320 (126") madia is equipped with 2 drawers.

Glazed legs with metal support structure.

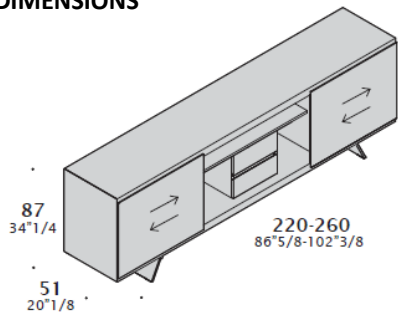


Drawer. W320 (126") madia is equipped with 2 drawers.

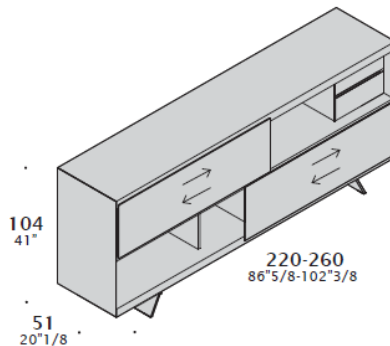
4 dividing panels for upper and lower compartment.

Glazed legs with metal support structure.

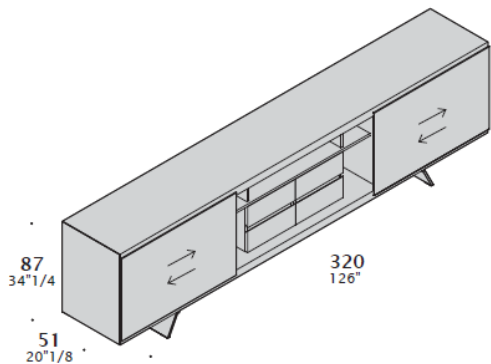
**DIMENSIONS**



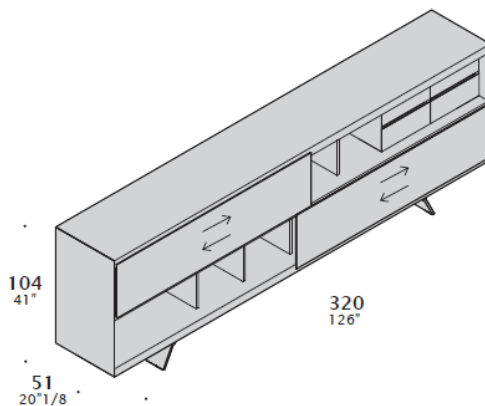
H87 and D51 available with both width options.  
W doors: 65 (25 5/8) - 85 (33 1/2)



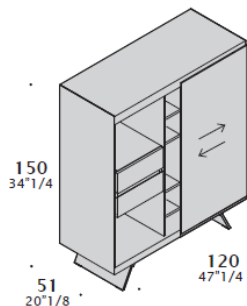
H104 and D51 available with both width options.  
W doors: 125 (49 1/4) - 145 (57 1/8)



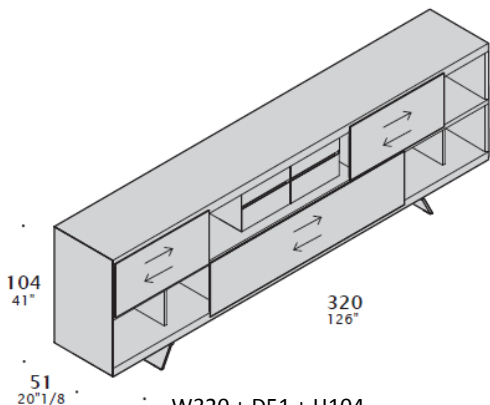
Options: W320 + D51 + H87  
W doors: 100 (39 3/8)



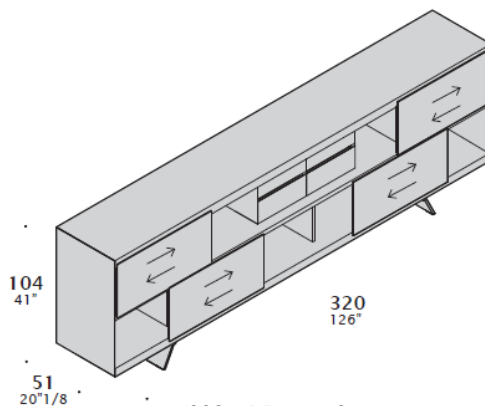
W320 + D51 + H104  
W doors: 165 (65)



W120 + D51 + H150  
W doors: 65 (25 5/8)



W320 + D51 + H104  
W doors: 85 (33 1/2) - 165 (65)



W320 + D51 + H104.  
W doors: 85 (33 1/2)

**FINISHES****Structure:**

**Sablè lacquered**, available in different sample collection colours.

**Veneer:** Magnolia, Colour White Fir, Nuvola stained Oak, Natural Oak 2016, American Walnut, Eucalyptus, Wengè, Zebrano Brown, Ebano.

**Base:** Clear glass.

**Fronts:**

**Sablè lacquered**, available in different sample collection colours.

**Veneer:** see structure finishes.

**Back-lacquered etched glass:** White, Silver, Titanio, Brown, Alfa Red.

**Ceramic:** Calacatta Soft, Calacatta glossy, Statuario Soft, Statuario glossy, Walks 1.0 White, Walks 1.0 Gray, Le Roche Ecrù, Ardoise Ecrù, Ardoise Noir, Nero Marquinia, Le Roche Grey, Industrial Ivory, Industrial Plomb.

**Luxury Metal:** Chromed, glossy Nickel Black, matt Bronze, matt Brass, matt Antique Brass, Pewter Quarz, Brunished Cobalt.