

CARESSE *Design Alessandro Dalla Pozza*

ARTICLE: SOFA

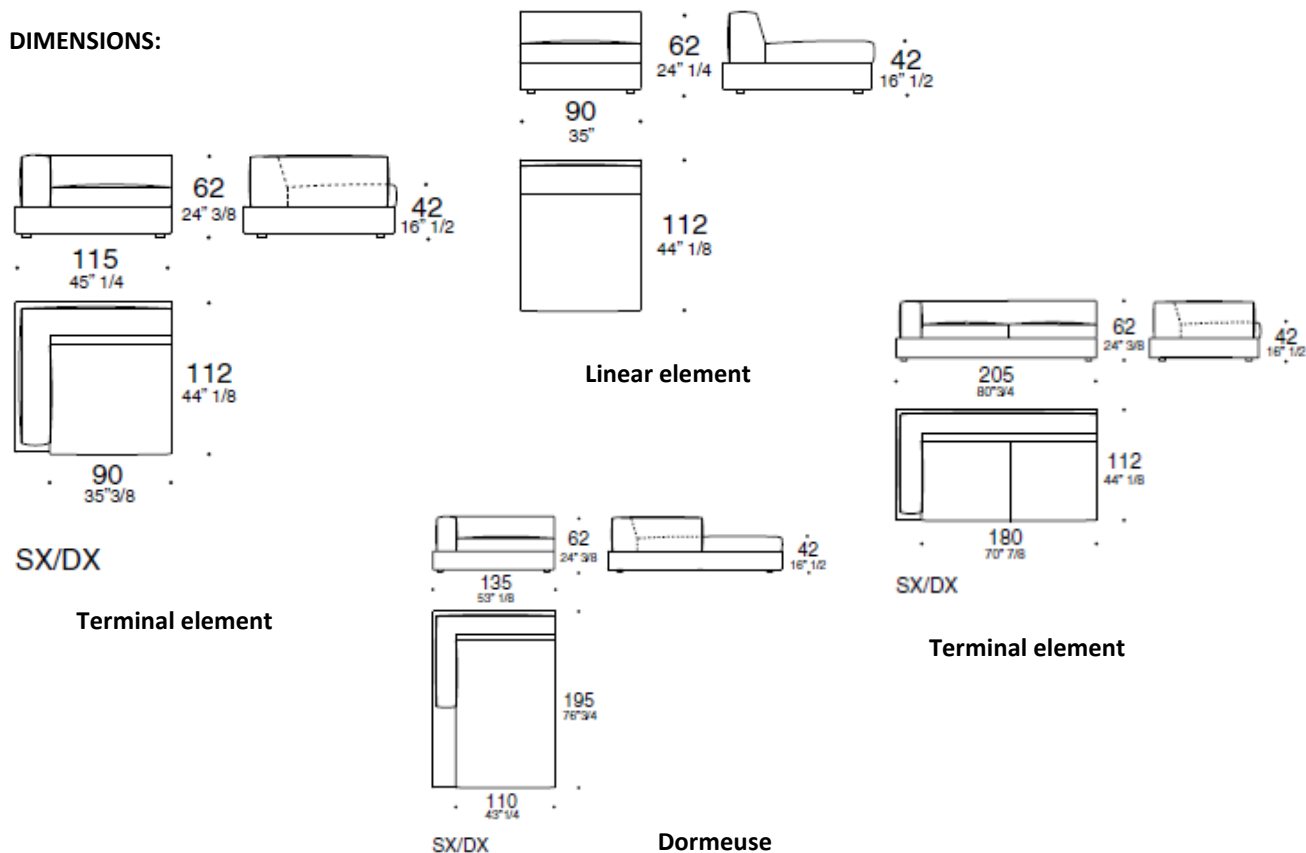
Modular sofa system offering numerous size variations, with a soft and inviting look and a great comfort with carefully designed seat which allows a posture more sustained soft but balanced. The back cushions, available in various sizes, allow different positions for relaxing.

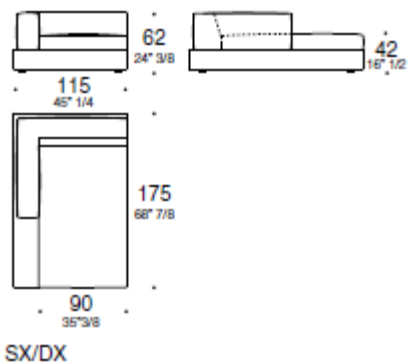
TECHNICAL CHARACTERISTICS

The load-bearing structure, on which the spring system (consisting of metal frames and elastic webbing) rests is made of multilayer beech and poplar wood. The padding in the seat and back cushions is made of expanded density-differentiated polyurethane and is covered with high quality down feathers that have been sterilized, sanitized and treated to be hypoallergenic. Upholstery is available in completely removable fabric or in non-removable leather (extra heavy leather, and deep shine leather). The highest expression of the collection is the leather version in which all the perimeter seams are live-cut worked, thanks to the use of thickened leathers.

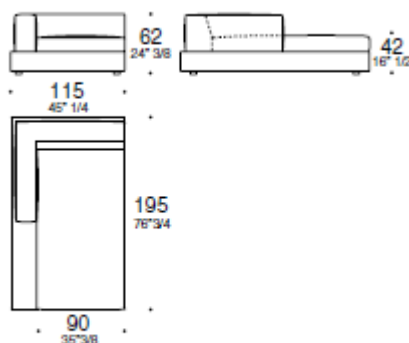


DIMENSIONS:

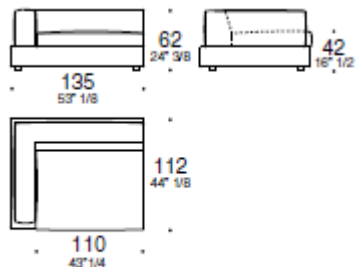




Dormeuse

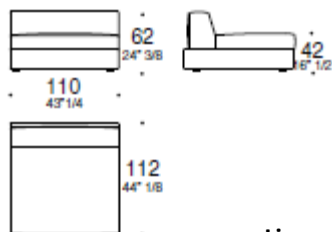
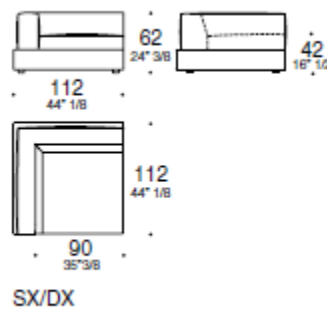


Dormeuse

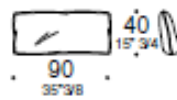


Terminal element

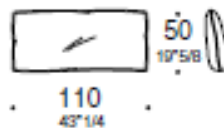
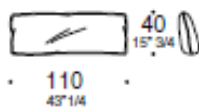
Corner



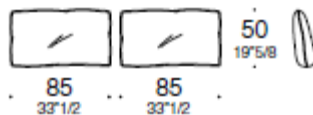
Linear element



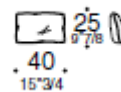
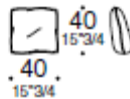
Cuscini schienale (obbligatori) per moduli con seduta L90



Cuscini schienale (obbligatori) per moduli con seduta L110



Coppia cuscini schienale angolo (obbligatori)



Cuscini ornamentali facoltativi

FINISHES:

Home Collection

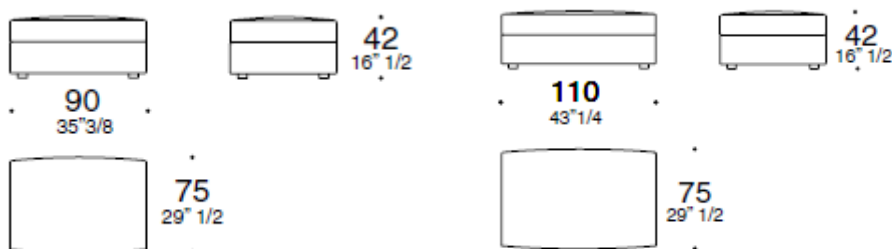
Fabric Cat. F, G, H, L, M, Ecoleather, Leather, Extra Leather and Super Leather

ARTICLE: POUF

Modular sofa system offering numerous size variations, with a soft and inviting look and a great comfort with carefully designed seat which allows a posture more sustained soft but balanced. The back cushions, available in various sizes, allow different positions for relaxing.

TECHNICAL CHARACTERISTICS

The load-bearing structure, on which the spring system (consisting of metal frames and elastic webbing) rests is made of multilayer beech and poplar wood. The padding in the seat and back cushions is made of expanded density-differentiated polyurethane and is covered with high quality down feathers that have been sterilized, sanitized and treated to be hypoallergenic. Upholstery is available in completely removable fabric or in non-removable leather (extra heavy leather, and deep shine leather). The highest expression of the collection is the leather version in which all the perimeter seams are live-cut worked, thanks to the use of thickened leathers.

DIMENSIONS:

FINISHES:

Home Collection

Fabric Cat. F, G, H, L, M, Ecoleather, Leather, Extra Leather and Super Leather

ARTICLE: SOFA

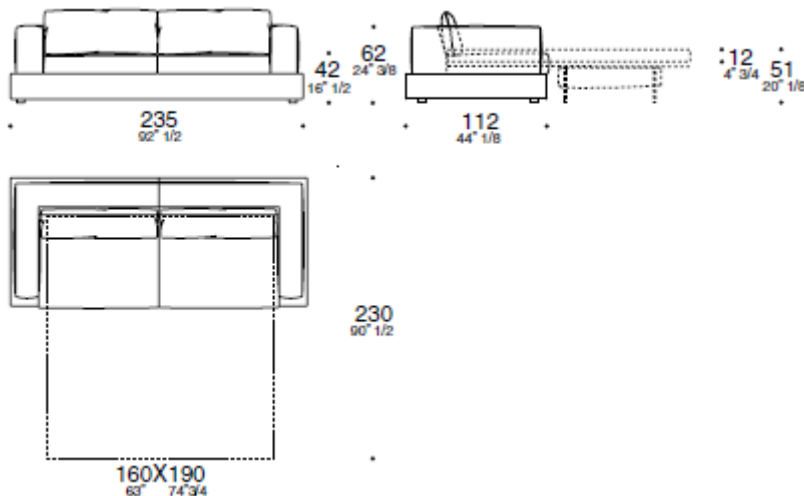
Comfortable sofa bed with a soft seat, back cushions and structure are coated with feather.

TECHNICAL CHARACTERISTICS

The load-bearing structure is in beech and poplar wood with a metal bed base inside. The upholstery of the seat cushions and backrests is in differentiated density polyurethane foam, all covered by high quality feathers. Front opening by folding the seat and rolling the mechanism forward. Self-storing seat and back cushions.

Electro-welded steel net. Innerspring 12cm mattress 160xp190 cm. The covering is available in all fabrics and leathers. Maximum expression in leather version, with live - seams. Removable fabric covers, fixed in leather.

DIMENSIONS



FINISHES:

Home Collection

Fabric Cat. F, G, H, L, M, Ecoleather, Leather, Extra Leather and Super Leather