

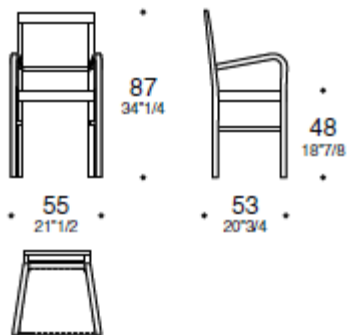
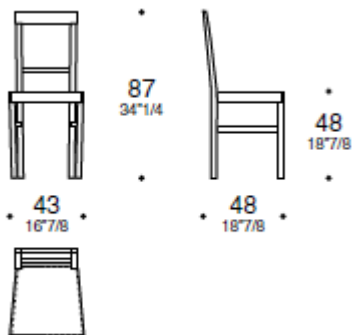
ARTICLE: CHAIR

TECHNICAL CHARACTERISTICS

Chair completely made of solid ash stained walnut, or open pore lacquered in snow white, grey nuit, yellow mustard, blue light, coral red, titanium. Upholstered seat, With leather seat covering. Available version without armrests and with armrests.



DIMENSIONS



FINISHES:

Lacquered open pore white snow, grey, yellow mustard, light blue, red coral, titanium, stained ash.