

**Article: BED**

Saddle leather bed with an elegant and minimalist look.

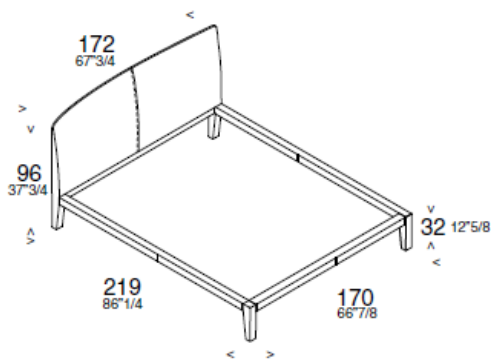
**TECHNICAL CHARACTERISTICS**

The weight bearing structure is realized in stainless steel, where the system of wooden staves rests. The headboard and the mattress support padding is formed of sheets of polyurethane that cover the stainless steel structure. The bed is completely covered in saddle leather, including the feet. It is available in the following mattress sizes: 160x200 cm high.

Net and mattress are aside.



**DIMENSIONS**



**UPHOLSTERED BED**

BED SIZE

MATTRESS SIZE

Standard size 172x219

160x200

**FINISHES:**

Home Collection - Fabrics Cat. F, G, H, L, M, Ecoleather, Leather, Extra leather, Super Leather