

Product: LEADER DESK

Deck Leader is an executive desk with wide dimensions. The tube-shaped legs and the top are in perfect harmony.

The mix between leather, wood and metal, gives to *Deck* a great personality that defines the various areas of the top, which can be used for different purposes. It is also available with two side drawers and return.

The modesty panel connects the two drawers, creating balanced combination of solidness and lightness.

The top is equipped with top access that allows the technical compartment inspection.

TECHNICAL FEATURES

The top central part and the sides have different finishes.

The desk is available in different dimensions to identify *Leader Small* and *Leader Large* versions.

Top:

Central top part: the tops are made of wood particles, Time or Soft Leather coated.

Sides and return desk: the tops are made of wood particles, wood veneer coated.

Storage units structure: structure made of wood particles, wood veneer coated.

Operator's side and visitor's side storage units are equipped with locks. Locks are positioned in the internal side panel of the storage unit.

Modesty panel: wood Veneer coated.

Legs: Nickel varnished tubular metal structure.

FINISHES

Tops:

Central top part: Time or Soft Leather.

Side tops and return top in veneer: Magnolia, White Colour Fir, Nuvola stained Oak, Natural Oak 2016, American Walnut, Eucalyptus, Wengè, Zebrano Brown, Ebano.

Storage units structure: Veneer.

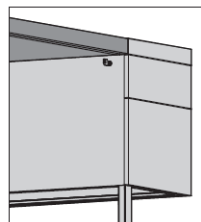
Modesty panel: Veneer.

Legs: Nickel varnished metal.

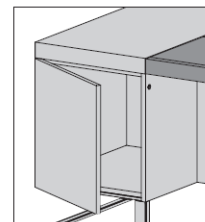


DIMENSIONS

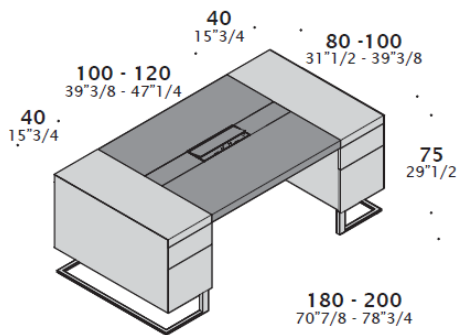
Locks.



Operator side.

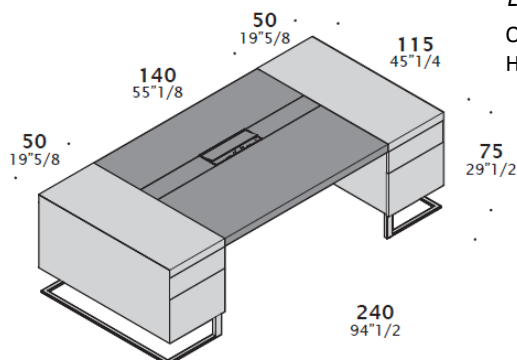


Visitor side.



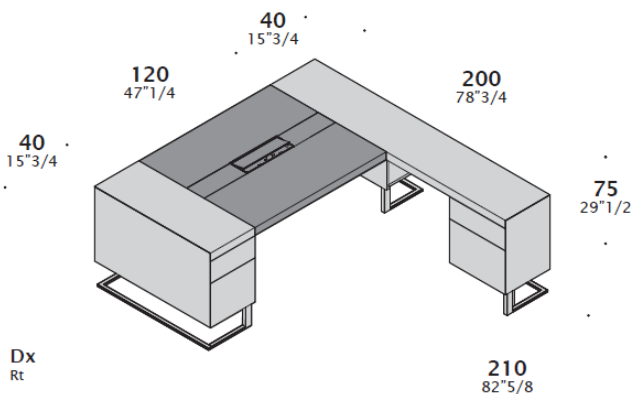
Leader Small.

Options:
H75 + W180 + D80
H75 + W200 + D100



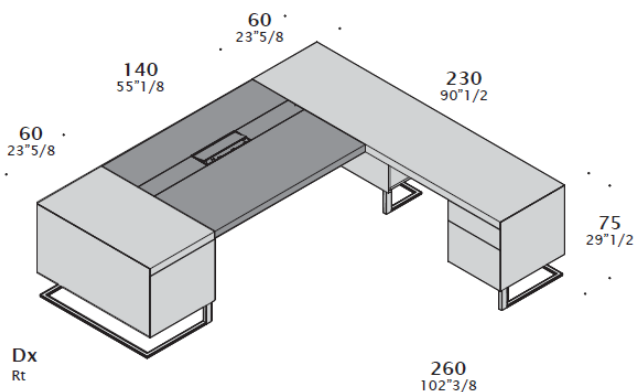
Leader Large.

Options:
H75 + W240 + D115



Leader Small with return desk.

Total dimensions: H75 + LW10 + D200
Return desk dimensions: H75 + W200 + D40



Leader Large with return desk.

Total dimensions: H75 + W260 + D230
Return desk dimensions: H75 + W230 + D60

MEETING PENINSULA FOR LEADER DESK

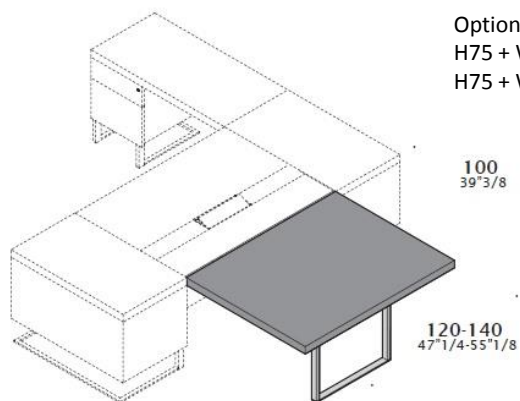
Top:

Veneer: the tops are made of wood particles, wood veneer coated (see top veneers).

Time or Soft Leather: the tops are made of wood particles, eco leather or leather coated.

Back-laquered etched glass: White, Silver, Titanio, Brown, Alfa Red.

Legs: Nickel varnished tubular metal structure.

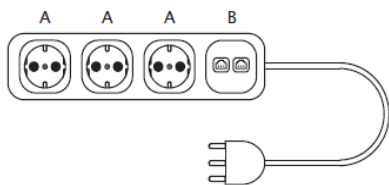


Options:

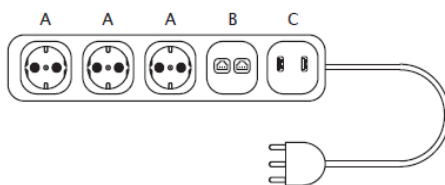
- H75 + W120 + D100
- H75 + W140 + D100

ELECTRIFICATION

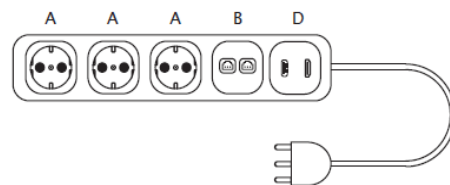
TYPE 1



TYPE 2



TYPE 3



Multiple sockets

Multiple sockets are provided with 3 m length cable and Schuko plug.

- A - Schuko - UE socket
- B - n° 2 RJ45 socket cat. 6 (data/telephone)

- C - n° 2 charger socket 5V
- D - n° 1 HDMI socket (video) + n° 1 USB socket

• On request we can also supply international sockets

Product: MEETING MANAGER DESKS

Jorge Pensi *Deck Meeting Manager* design comes from *Deck Meeting* in a more contemporary version.

It is suitable for sharing work places, creating a more informal environment. One of the main features is the wiring technical compartment that sustains the two tops: the individual one in leather with top access and the meeting one in glass or veneer.

Deck Meeting Manager is a perfect desk for sharing office.



TECHNICAL FEATURES

Tops:

Meeting top: available in Veneer or Back-lacquered etched glass.

Manager top: available in Time or Soft Leather.

Base: structure made of wood particles panels, Time or Soft Leather coated.

Legs: Nickel varnished tubular metal structure.

FINISHES

Tops:

Meeting top:

Veneer: Magnolia, White Colour Fir, Nuvola stained Oak, Natural Oak 2016, American Walnut, Eucalyptus, Wengè, Zebrano Brown, Ebano.

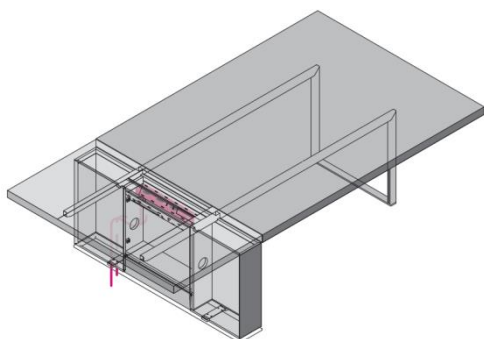
Back-lacquered etched glass: White, Silver, Titanio, Brown, Alfa Red.

Manager top: Time or Soft Leather.

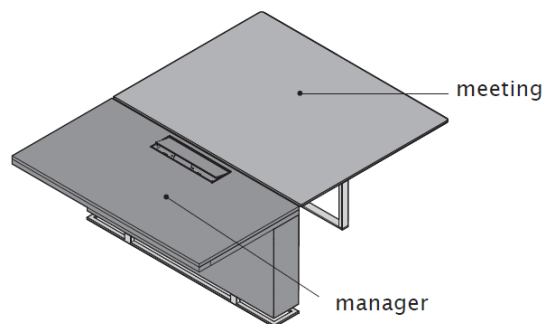
Base: Time or Soft Leather.

Legs: Nickel varnished metal.

ELECTRIFICATION



DIMENSIONS



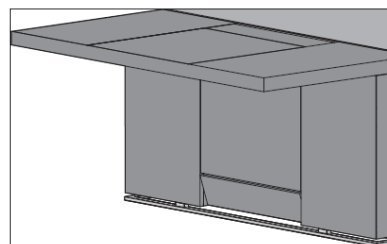
Options:

H75 + W200 + D150

H75 + W220 + D150

H75 + W280 + D150

Opening side.



80 120 - 140 - 200
31"1/2 47"1/4 - 55"1/8 - 78"3/4



150
59"