

Product: STORAGE UNITS SYSTEM

The cupboards range consists of several storage units, with 30 mm thick panels, for executive office. Design is original and plain; they are light, with 30 mm thickness, and they have TV stands.

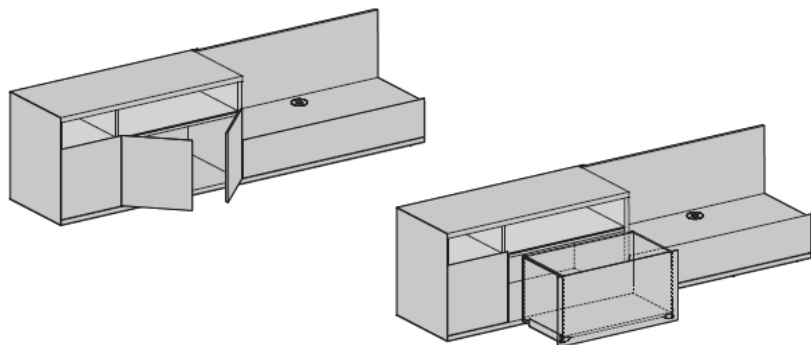
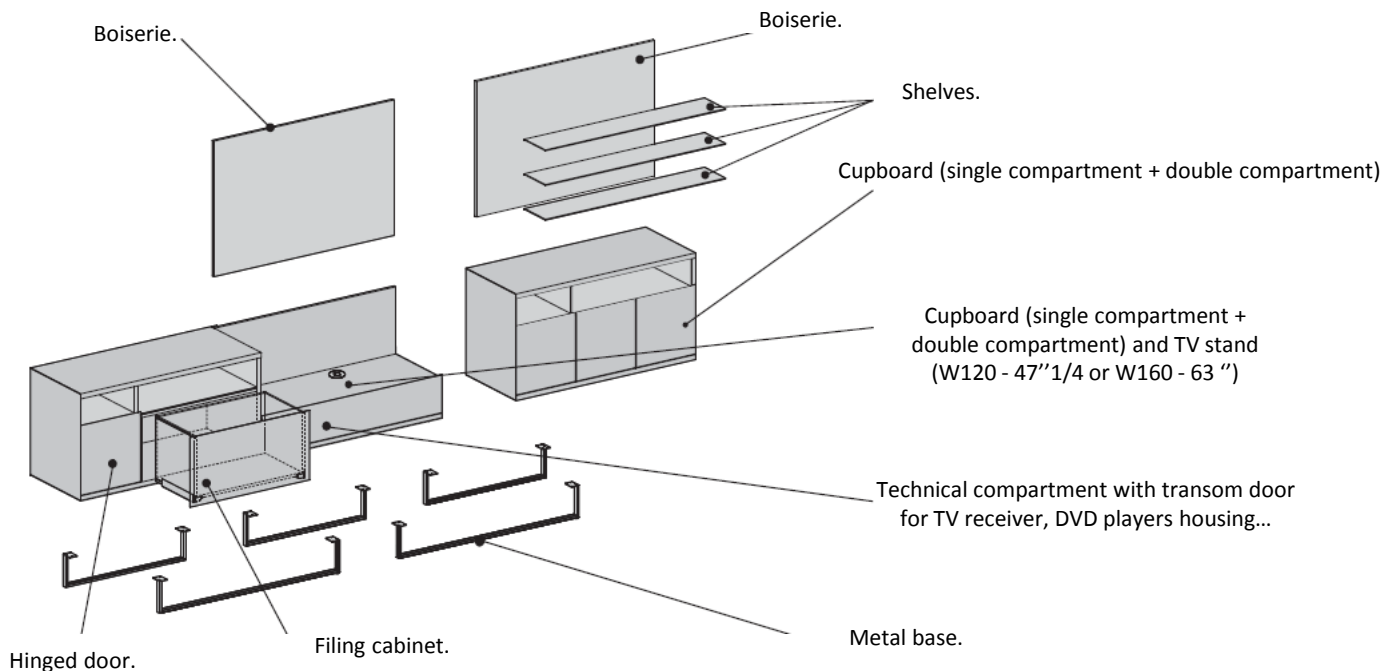
All the cupboard can be combined with *E-Wall Boiserie*.

All the elements lay on a base which can be in Luxury metal or Carbon Glacè powder coated.

TECHNICAL FEATURES

Structure and fronts: the structure is made of wood particles in Sablè Lacquered or Veneer finish.

Base: base made of a metal structure in Carbon Glacè or Luxury metal finish.



The L80 cm double compartment can have 2 hinged doors or 1 drawer cabinet.
 The L40 cm single compartment can only have 1 hinged door. On request the element with lower top for TV can be in Ceramic, like the other top.
 Every compartment can be equipped with lock: +€15.

FINISHES

Structure and fronts:

Sablè lacquered, available in different sample collection colours.

Veneer: Magnolia, Colour White Fir, Nuvola stained Oak, Natural Oak 2016, American Walnut, Eucalyptus, Wengè, Zebrano Brown, Ebano.

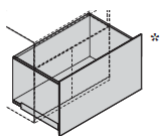
Base:

Matt Carbon Glacè varnished metal.

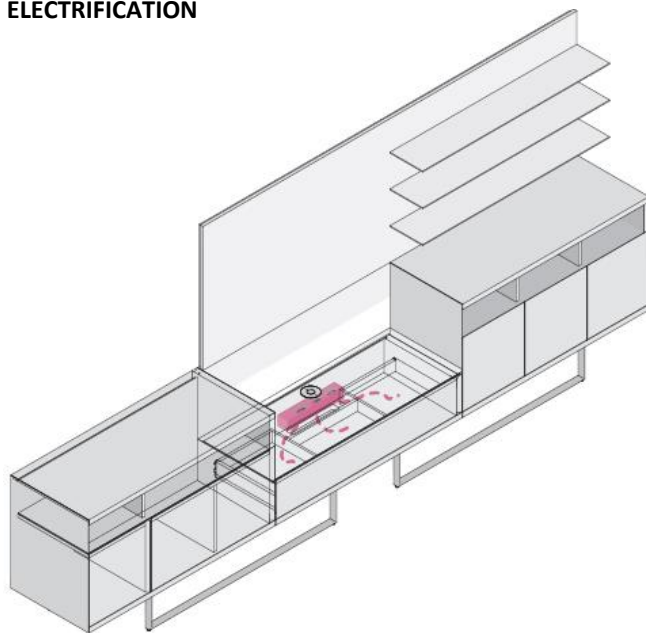
Luxury metal: Chromed, glossy Nickel Black, matt Bronze, matt Brass, matt Antique Brass, Pewter Quarz, Brunished Cobalt.

Boiserie and its accessories are available in Sablè lacquered and Veneer finish.

All storage units can be equipped with filing cabinet.

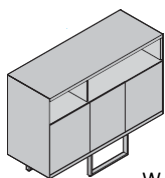


ELECTRIFICATION

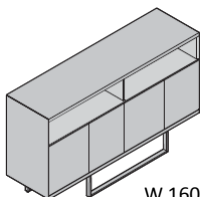


DIMENSIONS

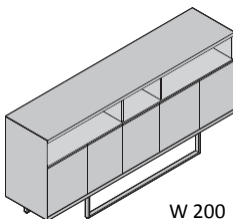
All D50 (19''5/8), H83 (32''5/8) storage units.



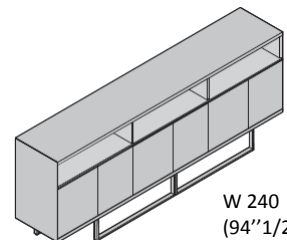
W 120
(47''1/4)



W 160
(63'')

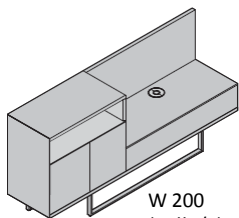


W 200
(78''3/4)

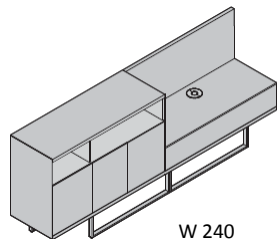


W 240
(94''1/2)

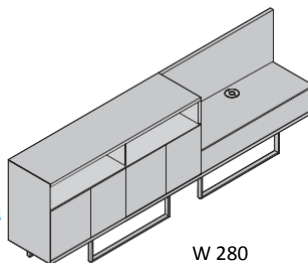
D50 (19''5/8), H83 (32''5/8) storage units with TV stand.



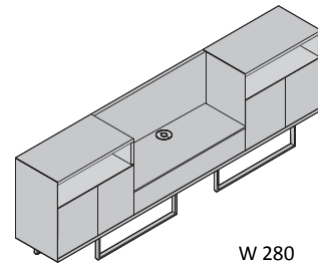
W 200
(78''3/4)



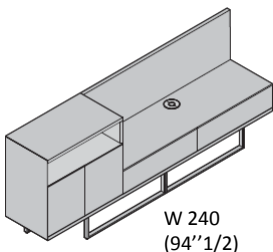
W 240
(94''1/2)



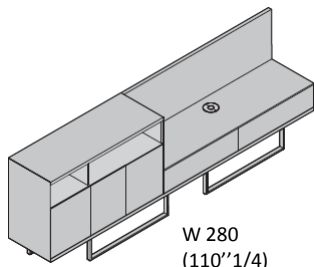
W 280
(110''1/4)



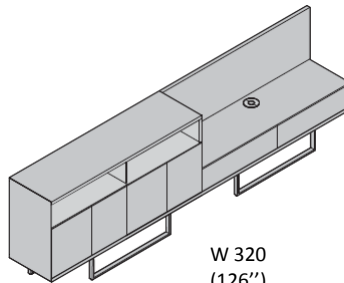
W 280
(110''1/4)



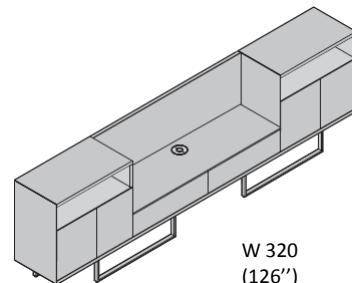
W 240
(94''1/2)



W 280
(110''1/4)



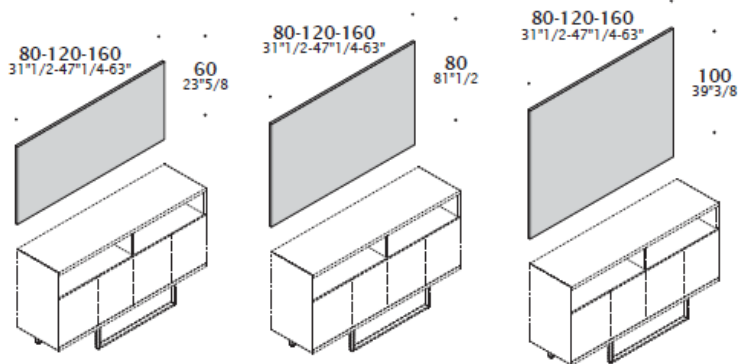
W 320
(126'')



W 320
(126'')

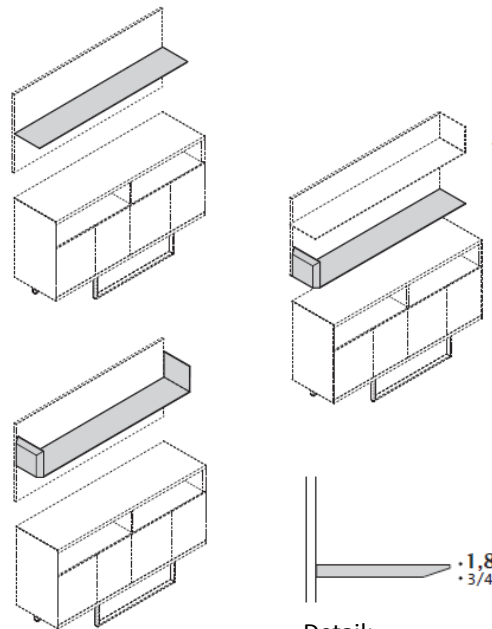
BOISERIE - E-WALL SYSTEM

Panels for wall covering.



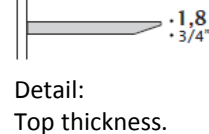
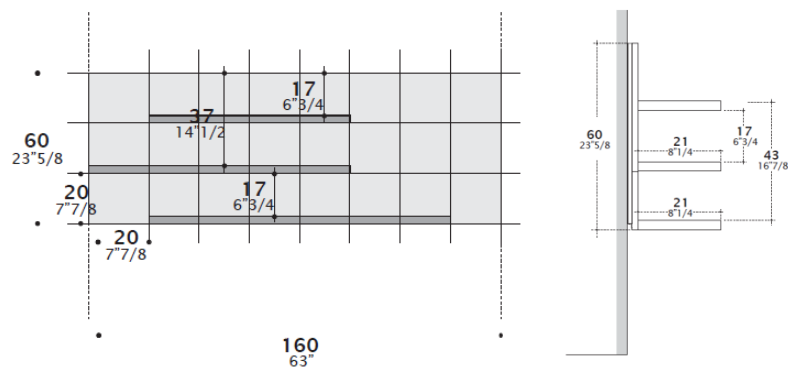
Shelves for Boiserie.

W 80 (31"1/2) - 120 (47"1/4) - 160 (63")
D 21 (8"1/4)

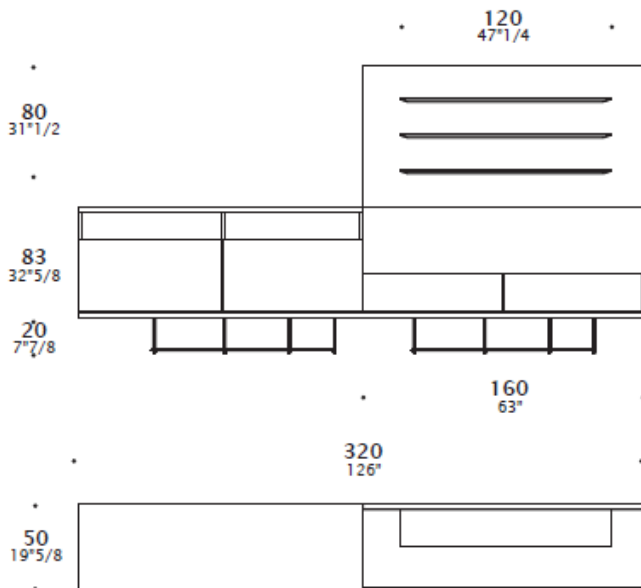
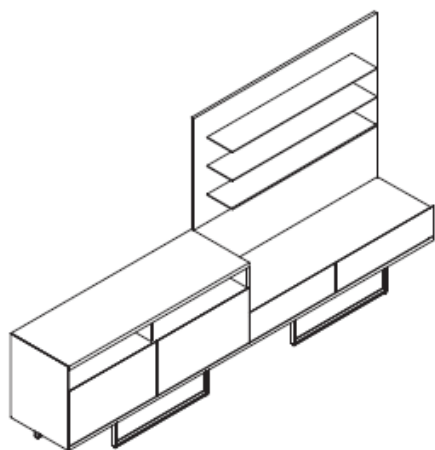


Shelves positioning.

Shelves for Boiserie must be placed on the wall covering at least every 20 cm (7"7/8) in height and width. On superior panels, a shelf (with upper closure top function) can be placed also in the upper edge of the panel.



COMPOSITION EXAMPLES



COMPOSITION EXAMPLES

