

Deck

Design by Estel R&D

Family of closed storage units with sliding or hinged door, or open per day. The wide range of finishes makes them suitable for operational and executive offices. They are available with two different depths (38 and 50 cm [15" and 19"5/8]), and three different heights (75 - 125 - 198 cm [29"1/2 – 49"1/4 – 78"]). The modules are available in 40, 80, 120 or 160 cm (15"3/4 – 31"1/2 – 47"1/4 – 63") wide. All containers are lockable. Wall-mounted fixing is required for containers with file basket.



TECHNICAL FEATURES



Structure

Made of top and bottom particle panels. 30 mm (1"1/8), back sp. 18 mm (3/4"), shelves th. 30 mm (1"1/8). Available in sablè lacquered finish and in veneer.

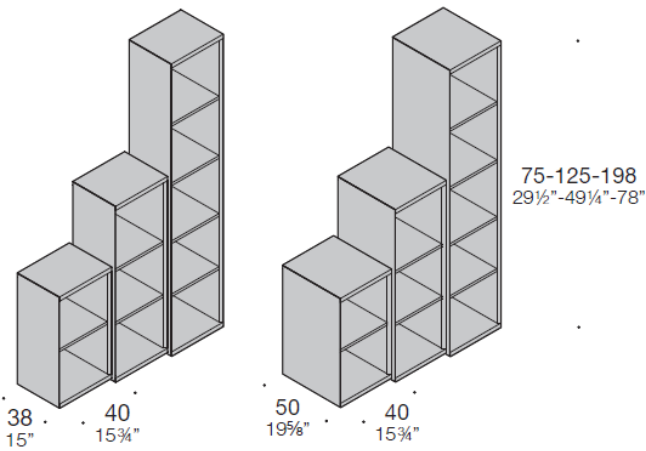
Doors and fronts

Made of panels th. 18 mm (3/4"). Available in sablè lacquered finish and in veneer.

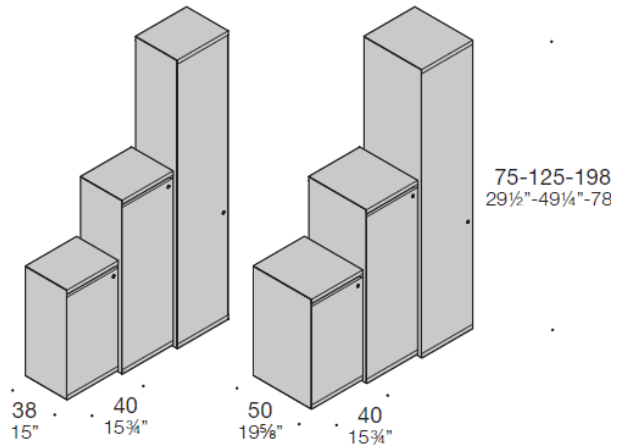
Storage units with glass doors are also available; when the door is made of glass, the frame is in Aluminum Carbon Glacè.



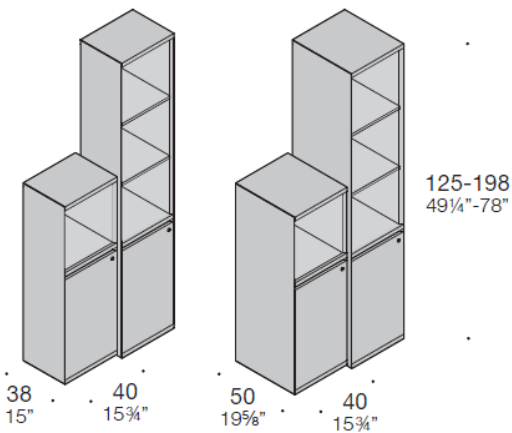
DIMENSIONS



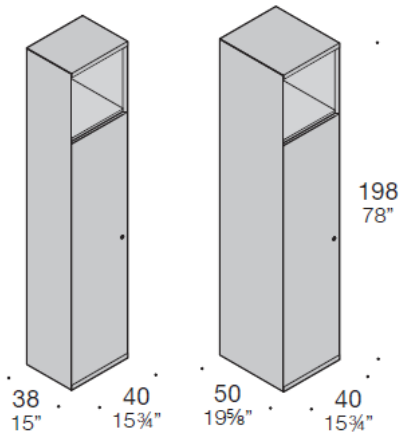
Open front storage units



Storage units with hinged doors

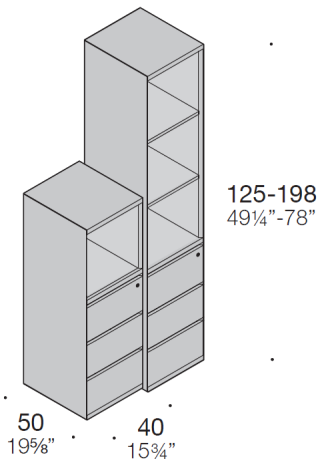


Open front storage units and upper open front compartment

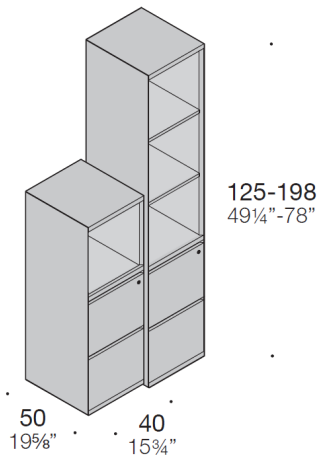


Storage units with hinged door and upper open front compartment

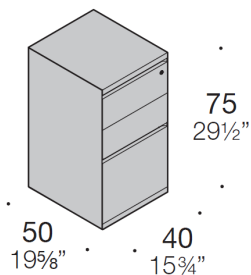
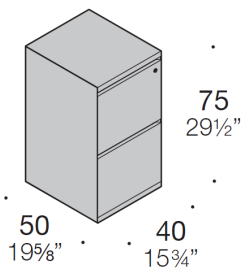
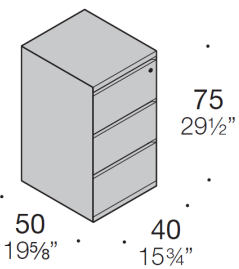
DIMENSIONS



Open storage units with 3 drawers



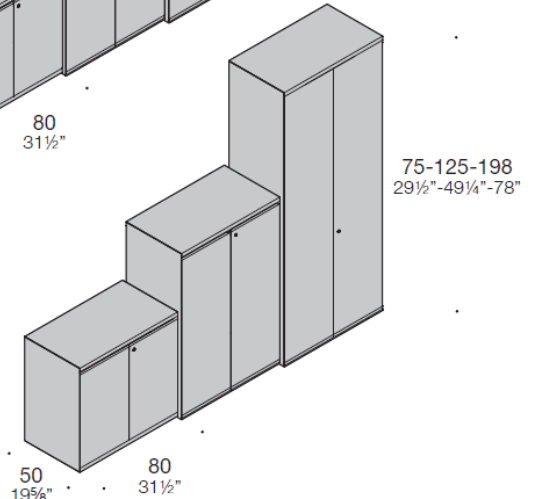
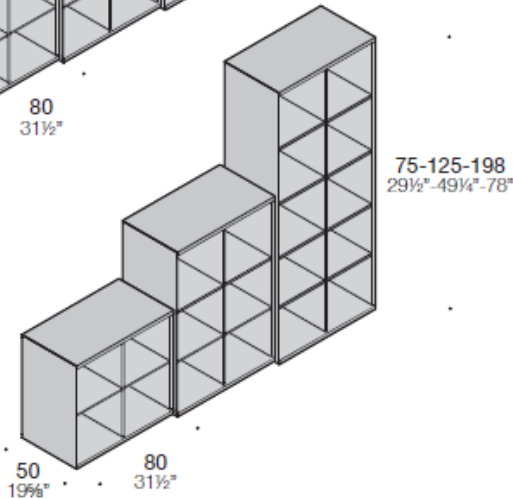
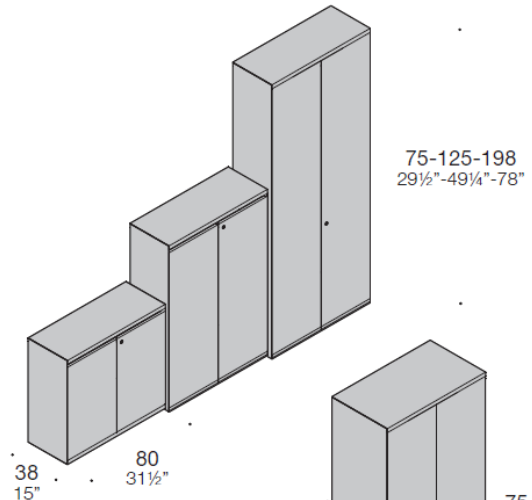
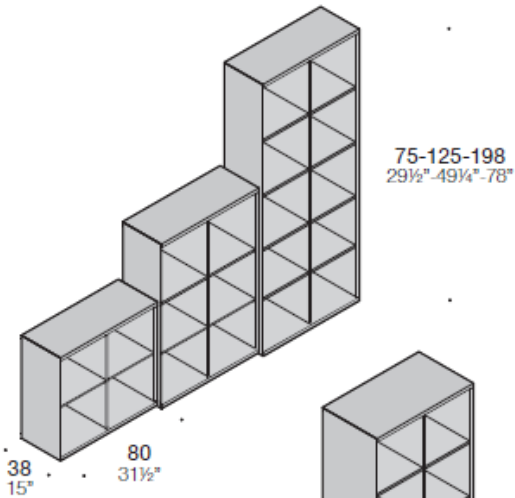
Open storage units with 2 filling cabinets



Storage units H 75 cm with 3 drawers, with 2 file filling cabinets, or with 2 drawers + 1 filling cabinet.

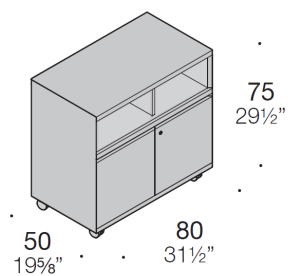
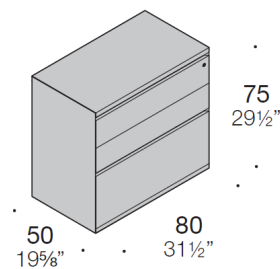
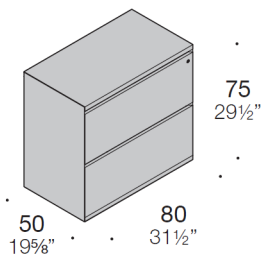
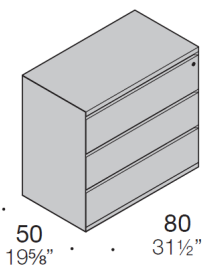
Note: for the L = 40 leaf modules, the right or left opening is available

DIMENSIONS



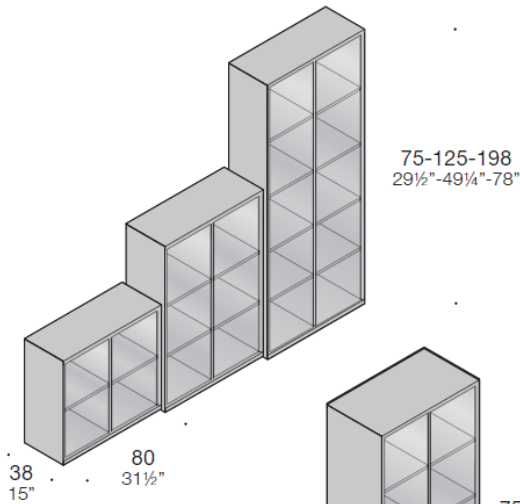
Open storage units

Storage units with hinged doors

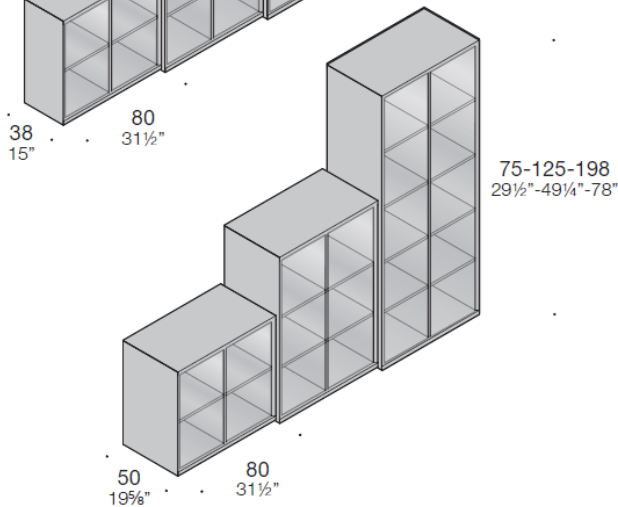


H 75 cm storage units with 3 drawers, 2 file filling cabinets, 2 drawers + 1 filling cabinet, printer cabinet.

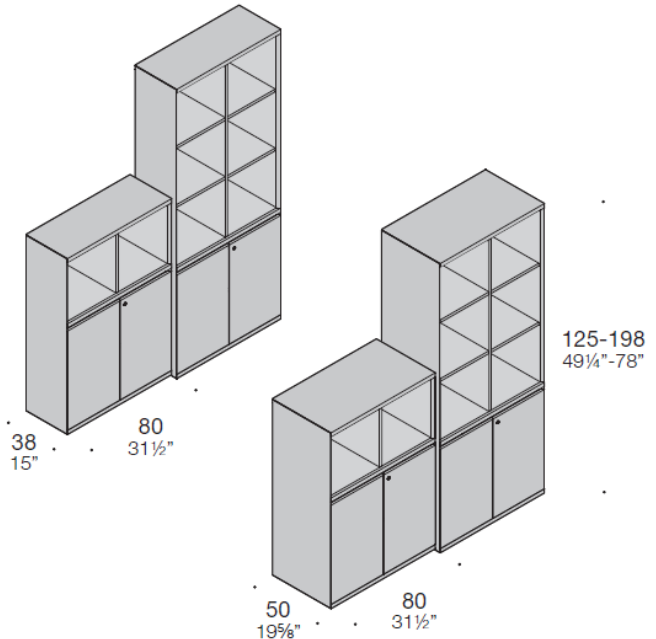
DIMENSIONS



75-125-198
29½"-49¼"-78"



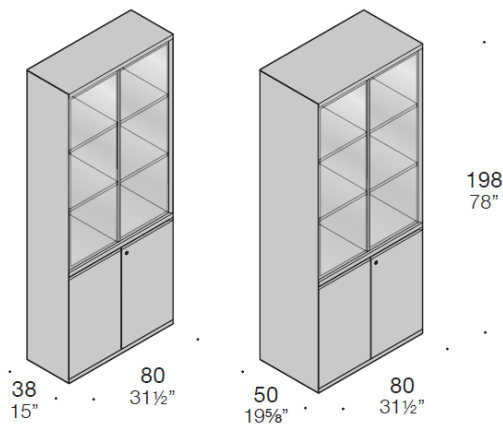
75-125-198
29½"-49¼"-78"



125-198
49¼"-78"

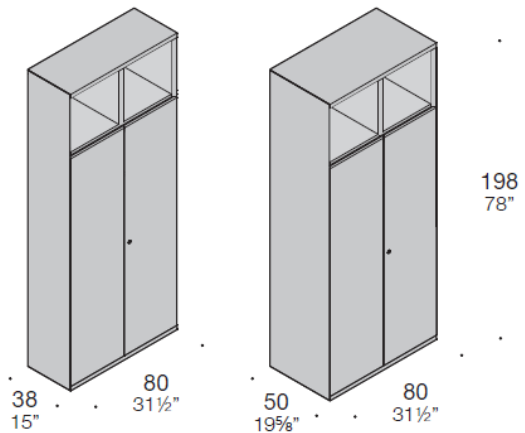
Storage units with glass hinged doors

Open storage units + hinged doors



198
78"

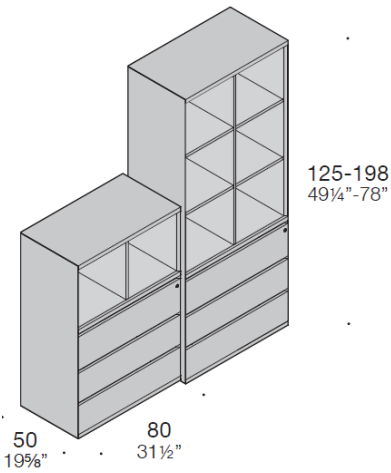
Storage units with upper glass doors + blind doors



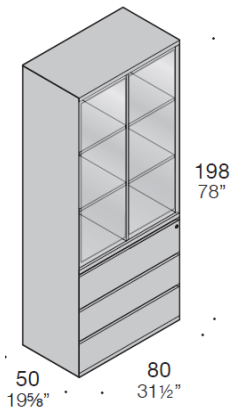
198
78"

Storage units with blind doors + upper open compartment

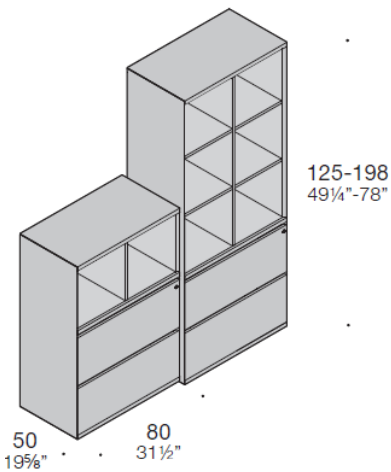
DIMENSIONS



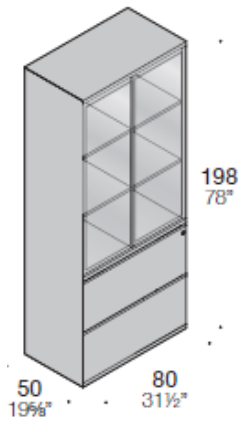
Open storage units with three drawers and upper open front compartment



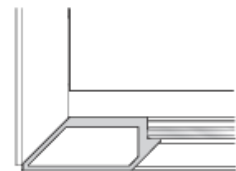
Storage units with upper glass doors and three drawers



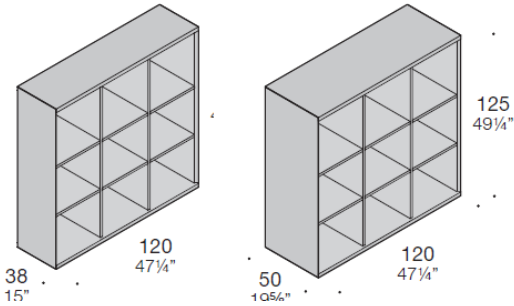
Open storage units with two filling cabinets.



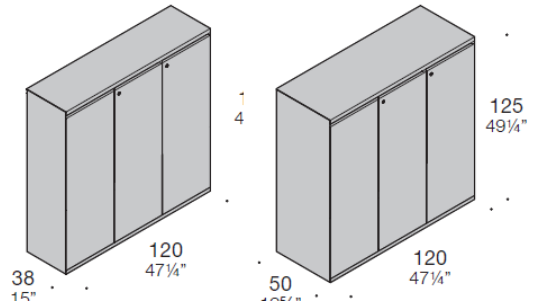
Storage units with upper glass doors and two filling cabinets + glass door frame detail



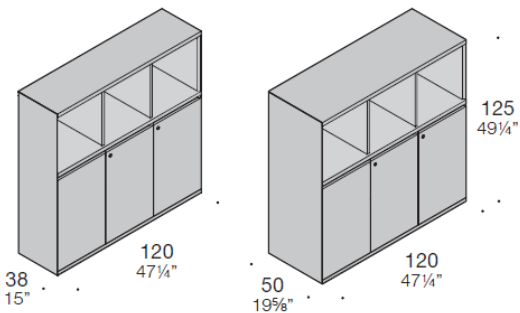
DIMENSIONS



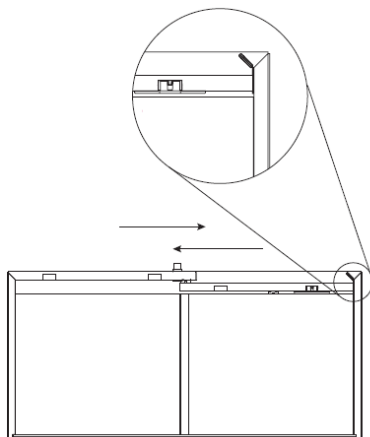
Open storage units



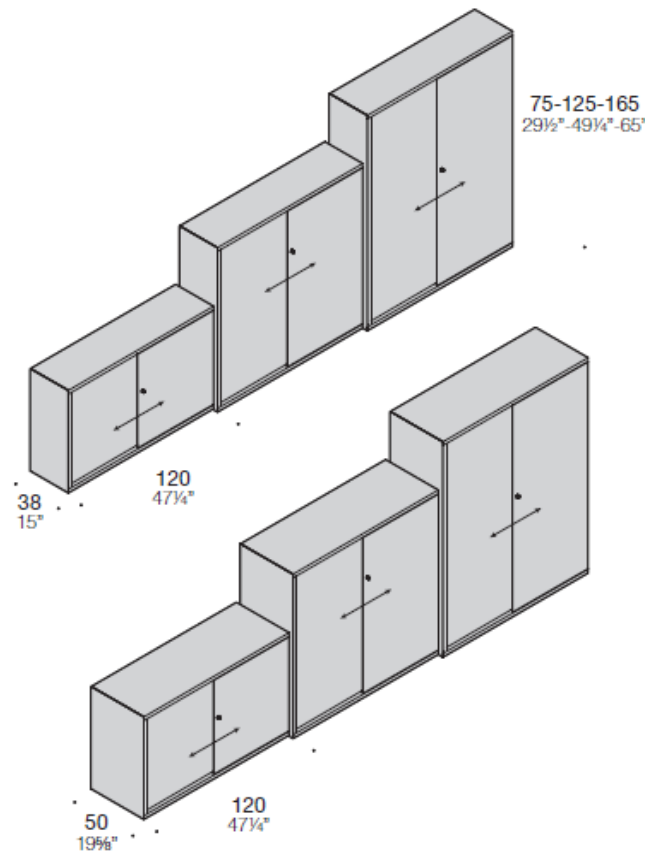
Storage units with hinged doors



Open storage units containers with lower blind doors

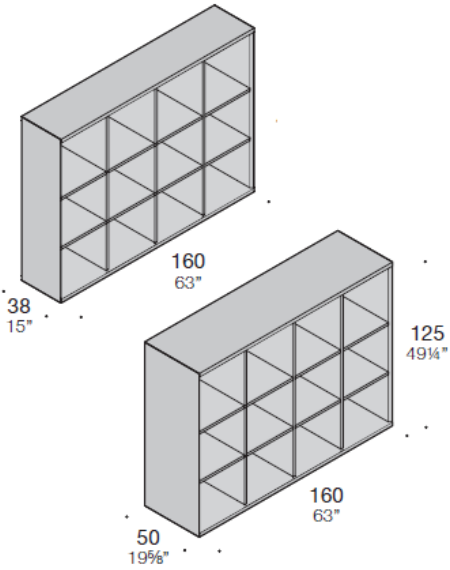


Sliding door handle detail

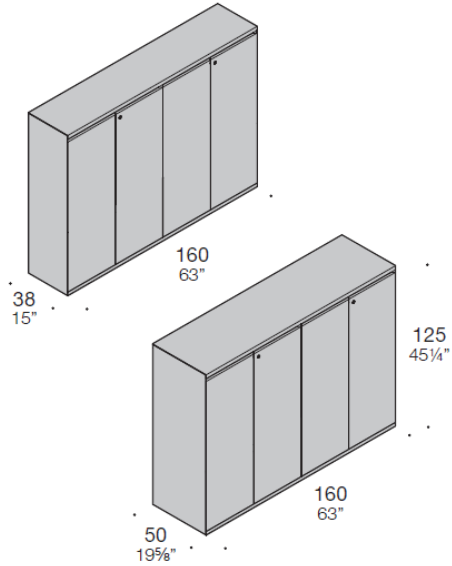


Storage units with sliding doors

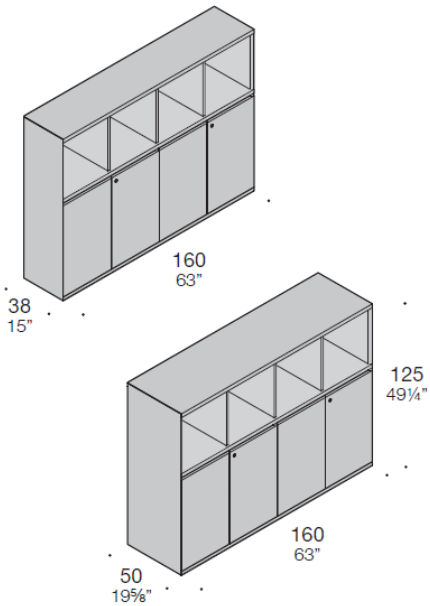
DIMENSIONS



Open storage units with three drawers



Hinged door storage units



Open storage units with lower hinged doors



W80 (31"1/2) H125 (49"1/4) storage units with hinged doors, W80 (31"1/2) H198 (78") open storage units, W160 (63") H125 (49"1/4) storage units with lower hinged doors, W80 (31"1/2) H75 (29"1/2) storage units with 2 file filling containers.



HEADQUARTER

Estel Group srl
Via Santa Rosa 70
36016 Thiene (VI) – Italy
Tel. +39 0445 389611
Fax +39 0445 808801
www.estel.com

The information shown is based on the latest published price lists. Estel reserves the right to make any necessary changes to the products shown at any time without notice.

ESTEL rev. 03_11/2019
