

P016

Design by Estel R&D

P016 is a system of meeting desks and tables that combine design and lightness in endless compositions, suitable for elegant and modern environments. Structures and legs are characterized by die-cast aluminum profiles. The base can be equipped with a service unit, available in different dimensions, with cable management on request. Glass and ceramic meeting tables cannot be equipped with top access.





Tops

Sablé lacquered tops, th. 30 mm (1"1/8); visible edges with transparent protective surface treatment. Tops in Veneer, sp. 30 mm (1"1/8); visible edges in Veneer. Rounded corners; the tops have an elegant tapering towards the edge along the entire perimeter.

Transparent glass tops are 15 mm (5/8") thick (meeting tables only).

Ceramic tops: made of glass th. 10 mm (3/8") with ceramic finishing top, th. 6 mm (1/4") (meeting tables only).

The external corners of the worktops are rounded (radius 80).



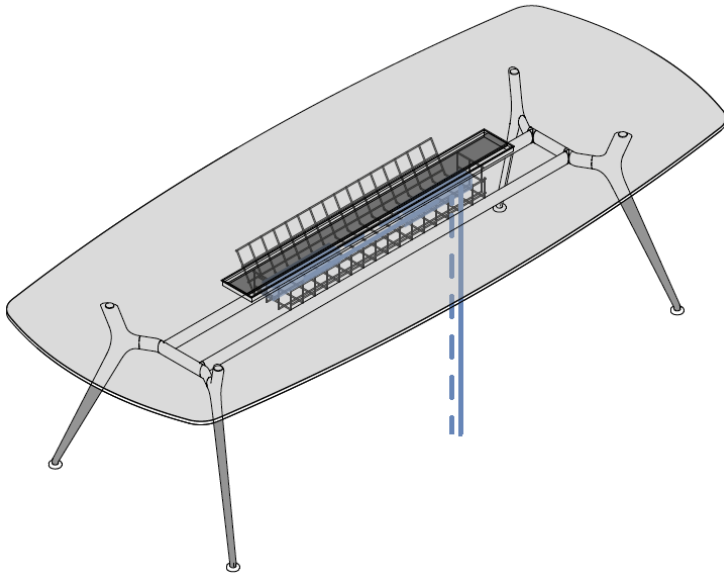
Legs

Leg composed of a symmetrical pair in die-cast aluminum with a full section and an extruded aluminum with an elliptical shape that acts as a connection between the castings.

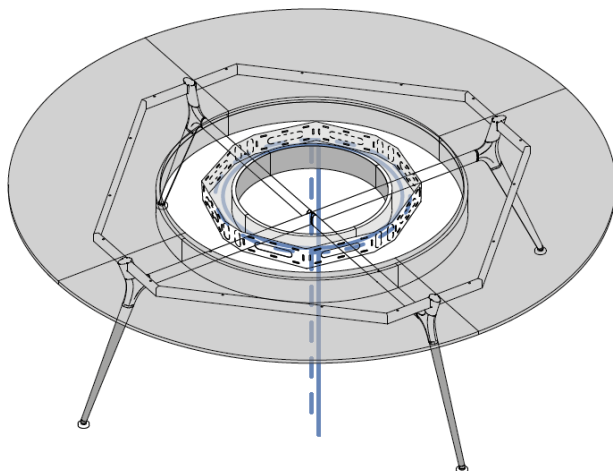
Undermount beams

Steel profiles 40x20 mm (1"5/8 x 3/4"), th. 2 mm (1/8") painted Carbon Glacé, or in Luxury metal.

ELECTRIFICATION



Meeting table



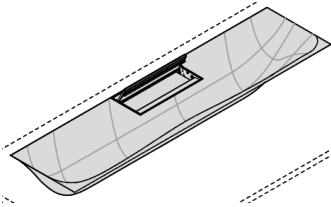
Sharing-meeting table

Prepared for the housing of Type 12 power strips.

The 160x160 (63"x63") table can be supplied including a kit with 4 multi-sockets pre-installed in the compartment

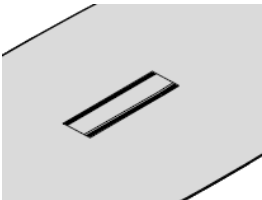
The 200x200 (78"3/4x78"3/4) and 240x240 (94"1/2x94"1/2) tables can be supplied including kits of 4 or 8 multi-sockets pre-installed in the compartment.

ELECTRIFICATION

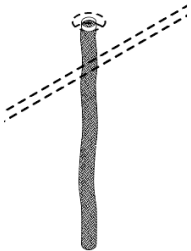


Top access

Top access frame with thermoformed cable tray for single desk.



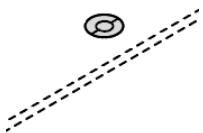
Double-sided top access for meeting table.



Cable management

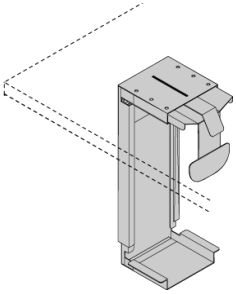
PORTALE leg cable cover.

Cable management tube for single desk or bench.

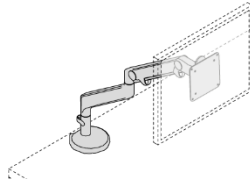


Cable outlet for single desk.

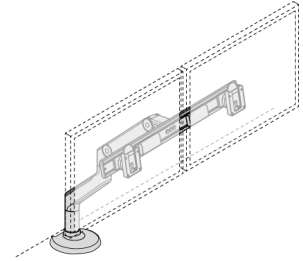
ACCESSORIES



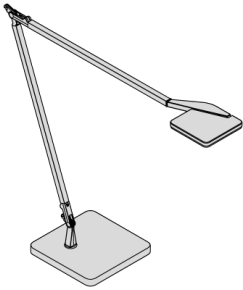
Extensible CPU holder



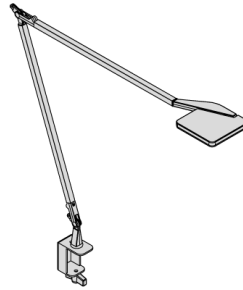
Single monitor holder
mounted on a surface



Double monitor holder
mounted on a surface

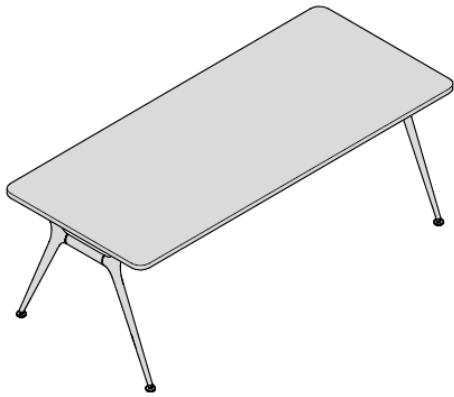


LED table lamp



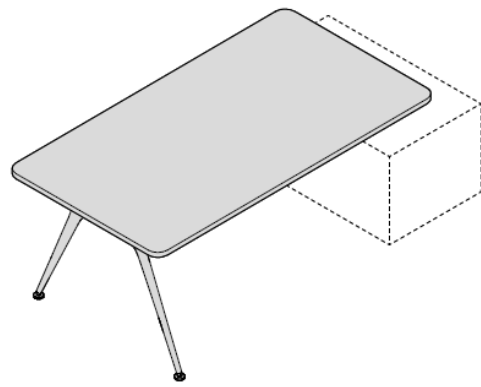
LED table lamp with
clamp

DIMENSIONS



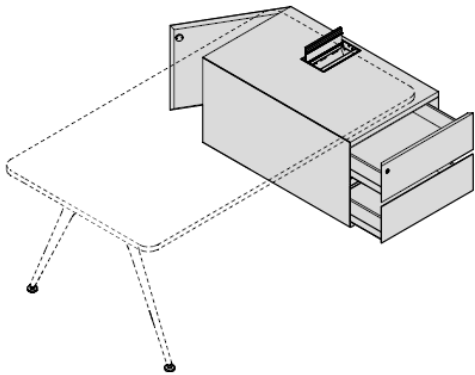
Desk

W160 (63") x D90 (35"3/8) x H75 (29"1/2)
 W180 (70"7/8) x D90 (35"3/8) x H75 (29"1/2)
 W200 (78"3/4) x D90 (35"3/8) x H75 (29"1/2)



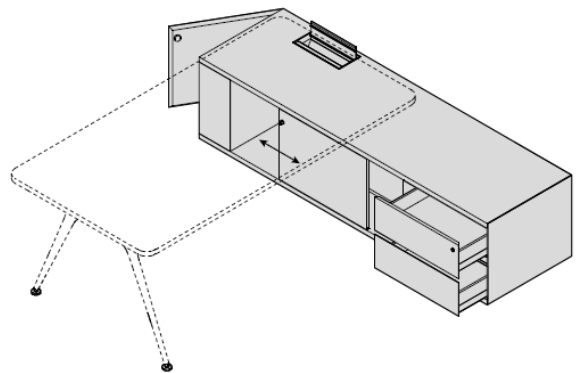
Desk for storage unit

W160 (63") x D90 (35"3/8) x H75 (29"1/2)
 W180 (70"7/8) x D90 (35"3/8) x H75 (29"1/2)



Storage unit P90 for desk- 2 drawers or filling cabinet.

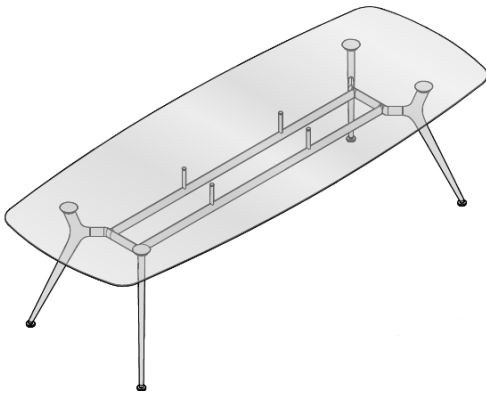
W60 (23<5/8) x D90 (35"3/8) x H50 (19<5/8)



Storage unit L205 for desk – 2 drawers or filling cabinet.

W60 (23<5/8) x D90 (80"3/4) x H50 (19<5/8)

DIMENSIONS

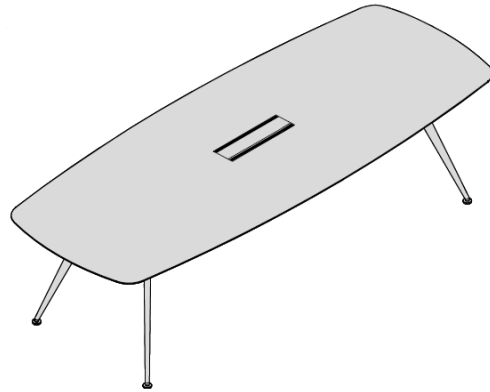


Elliptical meeting table in glass or ceramic.

W200 (78«3/4) x D80-90 (31"1/2-35»3/8) x H75 (29"1/2)

W240 (94"1/2) x D80-100 (31"1/2-39"3/8) x H75 (29"1/2)

W280 (110"1/4) x D90-110 (35"3/8-43"1/4) x H75 (29"1/2)

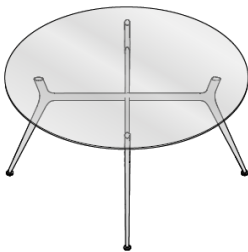


Elliptical meeting table in Lacquered or Veneer with Double-sided Top access and mesh cable tray.

W200 (78«3/4) x D80-90 (31"1/2-35»3/8) x H75 (29"1/2)

W240 (94"1/2) x D80-100 (31"1/2-39"3/8) x H75 (29"1/2)

W280 (110"1/4) x D90-110 (35"3/8-43"1/4) x H75 (29"1/2)

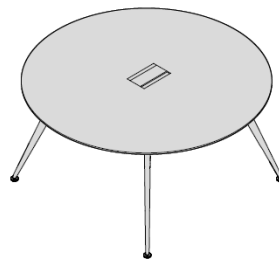


Elliptical meeting table in glass or ceramic.

W100 (39"3/8) x D100 (39"3/8) x H75 (29"1/2)

W120 (47«1/4) x D120 (47«1/4) x H75 (29"1/2)

W150 (59") x D150 (59") x H75 (29"1/2)



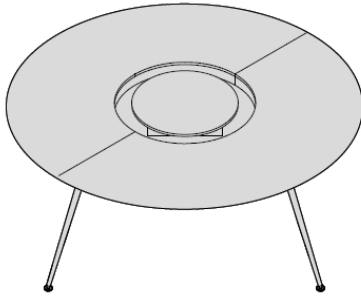
Round meeting table in Lacquered or Vener with Double-sided Top access and mesh cable tray.

W100 (39"3/8) x D100 (39"3/8) x H75 (29"1/2)

W120 (47«1/4) x D120 (47«1/4) x H75 (29"1/2)

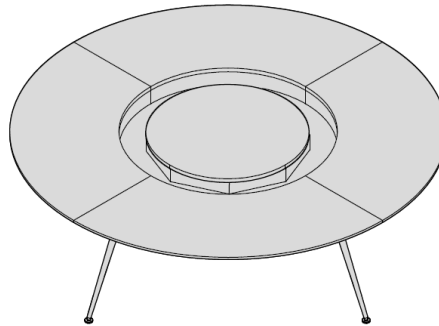
W150 (59") x D150 (59") x H75 (29"1/2)

DIMENSIONS



Sharing-Meeting table

W160 (63") x D160 (63") x H75 (29"1/2)
W200 (78"3/4) x D200 (78"3/4) x H75 (29"1/2)



Sharing-Meeting table

W240 (94"1/2) x D240 (94"1/2) x H75 (29"1/2)



Desk with storage unit D90 (35"3/8).



Desk with storage unit W205.



Round glass meeting table.



Elliptical ceramic meeting table.

CERTIFICATION

UNI EN 527-1 Dimensional requirements

UNI EN 527-2 Safety, resistance and durability requirements





HEADQUARTER

Estel Group srl
Via Santa Rosa 70
36016 Thiene (VI) – Italy
Tel. +39 0445 389611
Fax +39 0445 808801
www.estel.com

The information shown is based on the latest published price lists. Estel reserves the right to make any necessary changes to the products shown at any time without notice.

ESTEL rev. 03_11/2019
