

# Aliante

Design by Estel R&D

The Madia Aliante is a container suitable for a managerial or prestigious reception space. An original design and a strong thickness that combines the particular glass legs and sliding doors that can be made in sablè lacquer, veneer, luxury metals, glass or ceramic.



# TECHNICAL FEATURES



## Structure

The structure is available in sablè lacquer or in veneer.

## Fronts

The fronts are available in the following finishes: sablè lacquered, wood, back-lacquered etched glass, ceramic, Luxury metal.

## Drawers

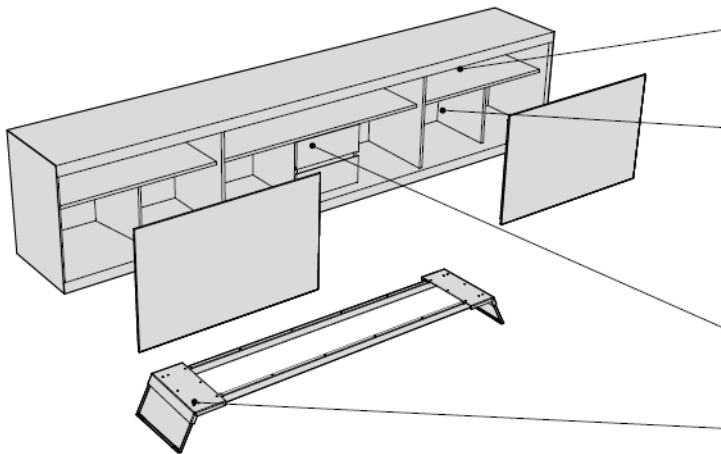
The drawer is available in sablè lacquer or in veneer with extra charge.

## Legs

Glass legs with metal structure.



## TECHNICAL FEATURES

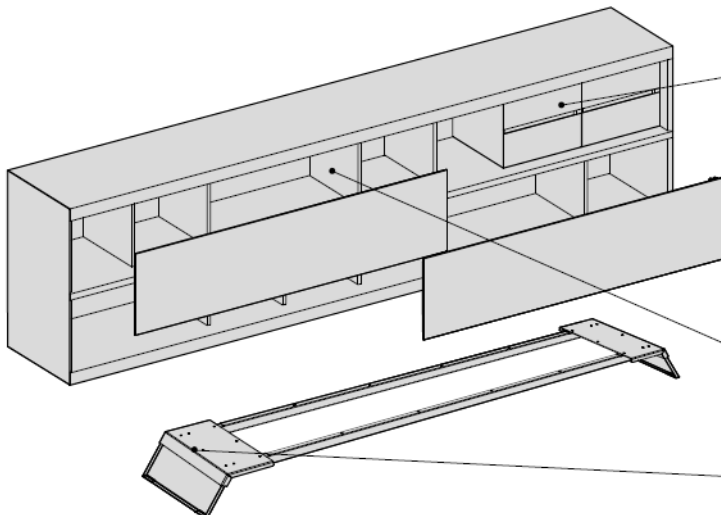


Each sideboard is equipped with 1 shelf per compartment

Each sideboard is equipped with 1 divider for side compartment. The L320 (126") Madia is equipped of 2 dividers also in the central compartment..

Drawers. The L320 Madia is equipped with 2 drawers.

Glass legs with metal structure.

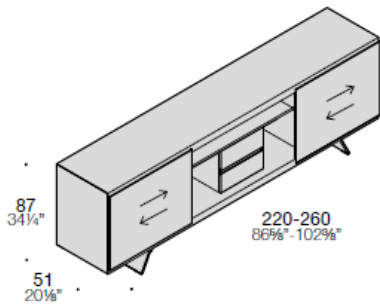


Drawers. The L320 (126") Madia is equipped with 2 drawers.

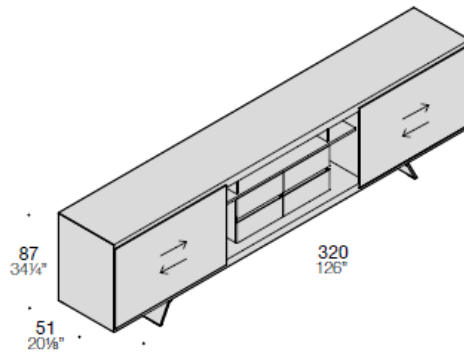
The upper and lower compartments are equipped with 4 dividers each.

Glass legs with metal structure.

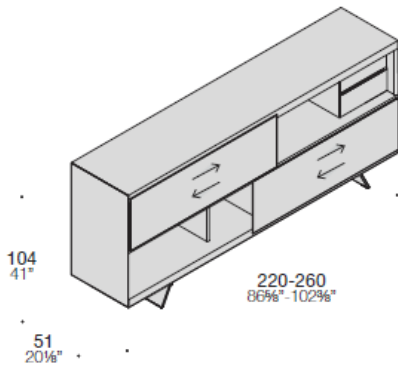
# DIMENSIONS



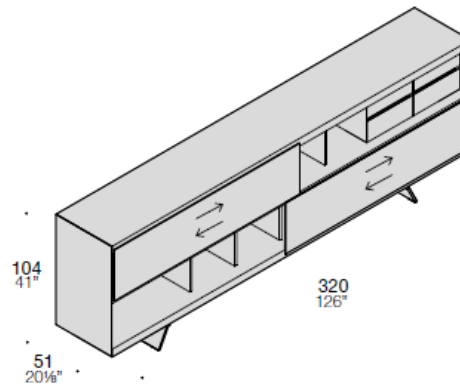
Madia W220 (86"5/8) and W260 (102"3/8) with sliding doors



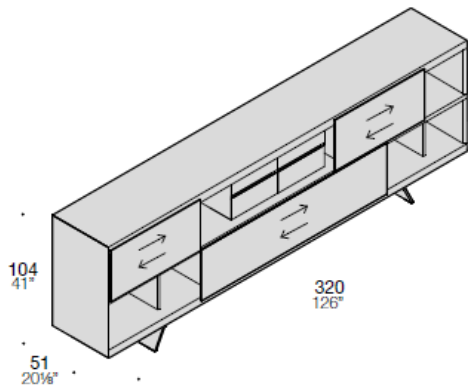
Madia W320 (126") with sliding doors



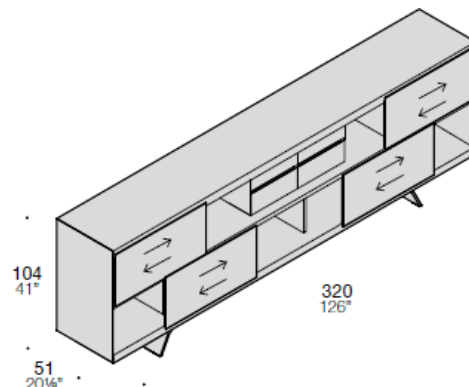
Madia W220 (86"5/8) and W260 (102"3/8) with overlapping sliding doors



Madia W320 (126") with two overlapping sliding doors



Madia W320 (126") with two overlapping sliding doors



Madia W320 (126") with two overlapping sliding doors



W260 (102"3/8) wooden Madia with lacquered sliding doors.



W260 (102"3/8) lacquered Madia with sliding doors in back-lacquered glass.



## **HEADQUARTER**

Estel Group srl  
Via Santa Rosa 70  
36016 Thiene (VI) – Italy  
Tel. +39 0445 389611  
Fax +39 0445 808801  
[www.estel.com](http://www.estel.com)

The information shown is based on the latest published price lists. Estel reserves the right to make any necessary changes to the products shown at any time without notice.

**ESTEL rev. 03\_11/2019**

---