

Cielo

Design by Estel R&D

Light design table, composed of a rectangular ceramic top and a painted metal base structure with characteristic curved crosspieces. It can accommodate up to 8 people.



TECHNICAL FEATURES



Tops

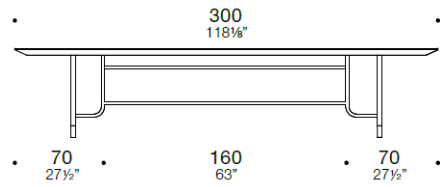
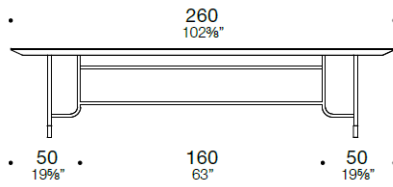
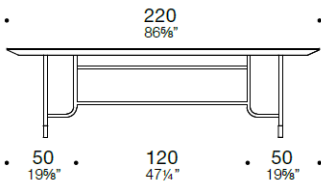
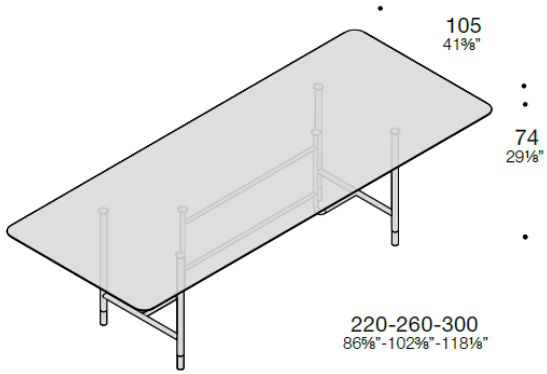
Tops made of glass th. 10 mm (3/8") with ceramic finish top, th. 6 mm (1/4").

The external corners of the worktops are rounded (radius 80).

Structure

Base in glossy Snow White, glossy Pomegranate Red, glossy Black painted metal.

DIMENSIONS



Rectangular table



Rectangular table with ceramic top and Carbon Glacè power coated metal base.



HEADQUARTER

Estel Group srl
Via Santa Rosa 70
36016 Thiene (VI) – Italy
Tel. +39 0445 389611
Fax +39 0445 808801
www.estel.com

The information shown is based on the latest published price lists. Estel reserves the right to make any necessary changes to the products shown at any time without notice.

ESTEL rev. 03_11/2019
