

STORAGE UNITS

Even in the most flexible office, the function of archive and material management are essential. Classic File Wood functional elements are ideal to create personal storage for each workstation, and for the furniture of transit or archive areas. All modules are equipped with a lock. "C-shaped" handle are available as an option for hinged door units.

TECHNICAL FEATURES

Elements are made of chipboard panels with melamine finish; thickness is mm 18 (doors, sides) or mm 30 (top, base); the doors and tops are available with the same finishes of the structure and with Sablè Lacquered or in Veneer finish; Glazed doors have a frame with are finished according to the finishing of structure.

Storage units have a depth of 38 cm; modules with width of 60, 80 or 100 cm are available.

FINISHES

Structure: White Snow or Titanium Melamine.

Doors and Top: Melamine, Sablè Lacquered. Wood Veneer.

ACCESSORIES

The following accessories are available in the catalog:

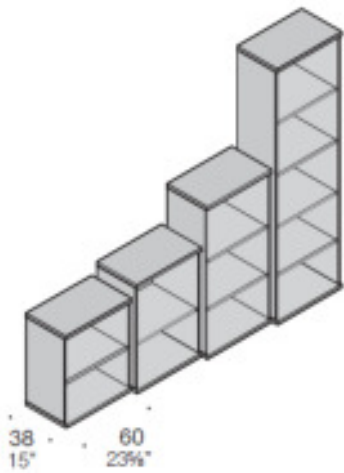
"C-shaped" Handle:



Additional melamine shelves ; Alternative metal shelves;

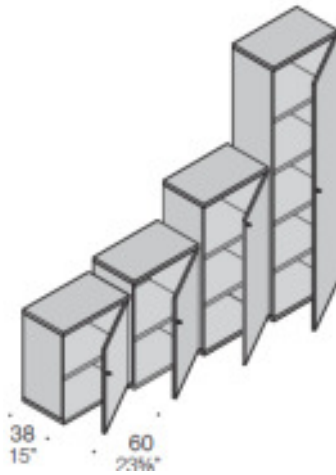


MODULES



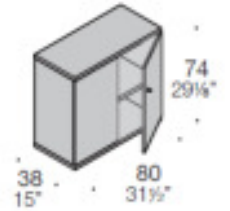
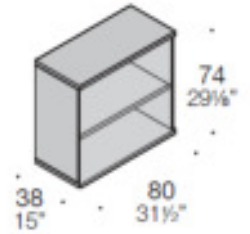
74-87-122-205
29 1/4"-34 1/4"
48"-80 1/4"

Open Modules W=60 cm

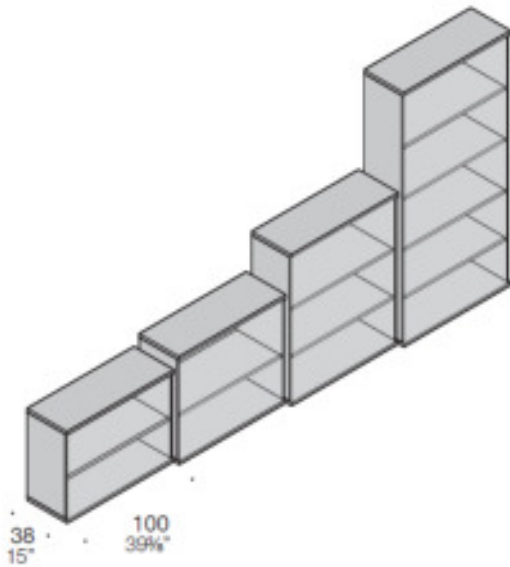


74-87-122-205
29 1/4"-34 1/4"
48"-80 1/4"

Modules with solid hinged door W=60 cm

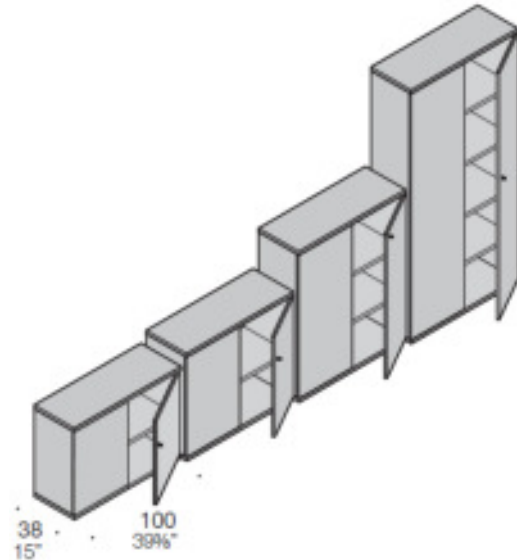


Module W=80 cm



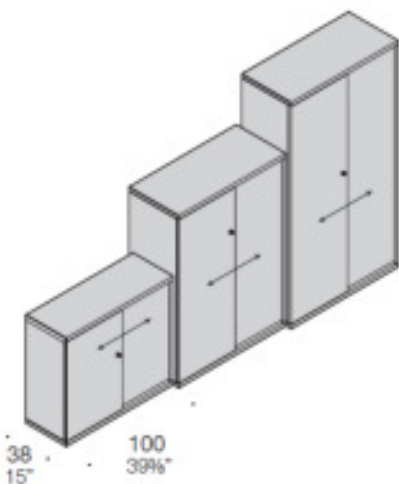
74-87-122-205
29 1/4"-34 1/4"
48"-80 1/4"

Open Modules W=100 cm



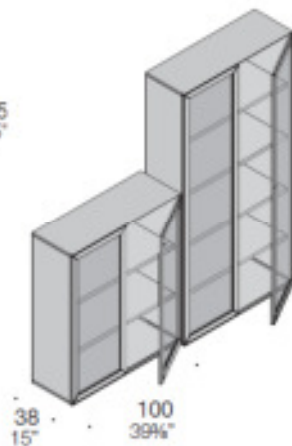
74-87-122-205
29 1/4"-34 1/4"
48"-80 1/4"

Modules with solid hinged door W=100 cm



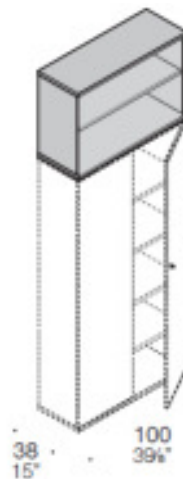
87-122-165
37 1/4"-48"-65"

**Modules with sliding door
W=100 cm**



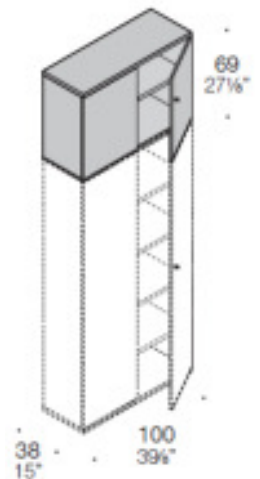
122-205
48"-80 1/4"

**Modules with glazed door
W=100 cm**



69
27 1/4"
38
15"

**Additional top modules
W=100 cm**



69
27 1/4"
38
15"