

Baobab

Design by Estel R&D

Baobab round and Baobab square are polyedric sharing tables: equipped with spacious worktops they can accommodate up to 8 people in single or shared workstations. A solution that perfectly endorsees the spirit of the Italian Smart Office and its key concepts: Functionality, Sharing culture, Connectivity and Design. All workstations offers an easy access to electrification via USB and Schuko inputs.

The top can be made of melamine on MDF (Ergo top), Fenix laminate or wood; the supporting structure can be in painted or chromed metal (P016) or with solid oak legs (P45). Baobab is equipped with a central oak cone, 205 cm high, arranged as cable passage and main support for four propeller-shaped palms with integrated LED lighting (the leaves are covered in technical fabric with sound-absorbing characteristics).



TECHNICAL FEATURES



P016 structure

The leg consists of a symmetrical couple of die-cast solid profiles connected each other by an elliptical extrusion.

P45 structure

Legs in solid wood Oak; Tubular S/Steel profiles, mm 50x30 (2"x1"1/8), with «L» shaped corner joints, in die-cast iron. Powder coated finish.

Ergo Top

MELAMINE ON MDF

Tops in MDF, th. mm 30 (1 1/8"), with melamine surface; wooden edges with transparent surface coating treatment; rounded corners; countertops feature an elegant inclined thin cut on all sides.

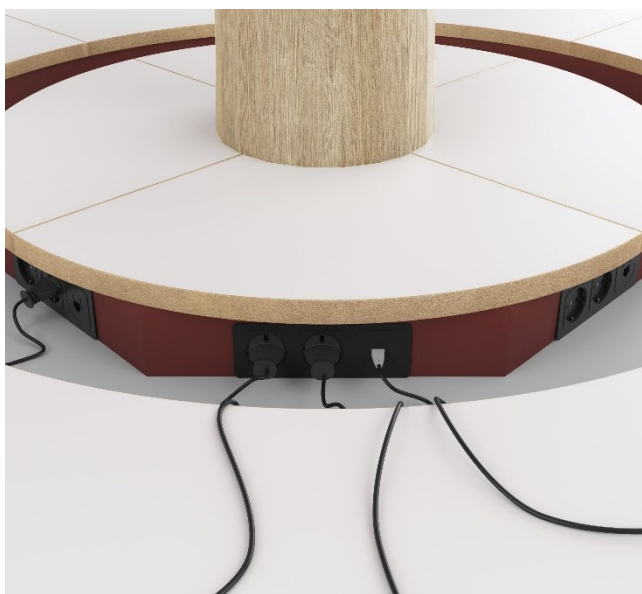
FENIX LAMINATE, VENEER

Tops in Laminate or Veneer, th. mm 30 (1 1/8"); edges in White laminate or Veneer; rounded corners; countertops feature an elegant inclined thin cut on all sides, with transparent surface coating treatment.

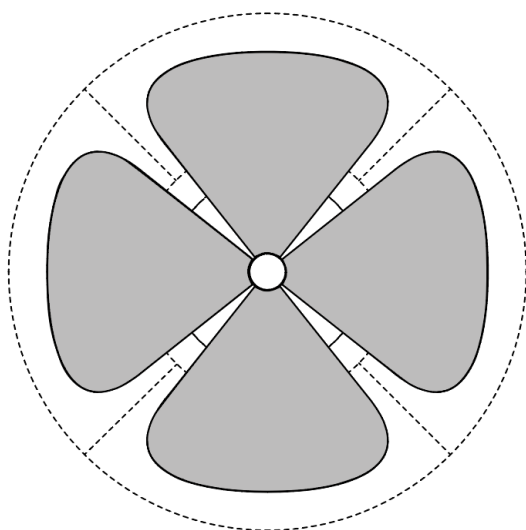
Worktop corners are rounded (radius 80).

Central column

Central column is always in real Oak wood.



TECHNICAL FEATURES



Leaves

Leaves are upholstered with Medley fabric, all with integrated LED lamp.

It's possible to order leaves in MONOCHROME solution:

MONOCHROME GREEN: Medley 389 with electrification tray lacquered «Kiwi Green».

MONOCHROME BLUE: Medley 391 with electrification tray lacquered «Light Blue».

MONOCHROME RED: Medley 373 with electrification tray lacquered «China Red».

Are also foreseen the following MULTICOLOR NUANCES:

Multicolor nuance GREEN:

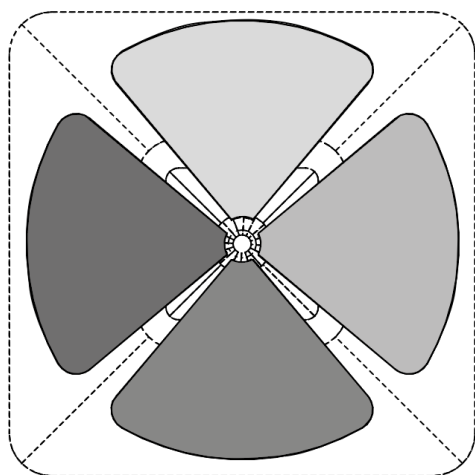
Medley 386 - Medley 389 - Medley 382 - Medley 388 - electrification tray lacquered «Kiwi Green».

Multicolor nuance BLUE:

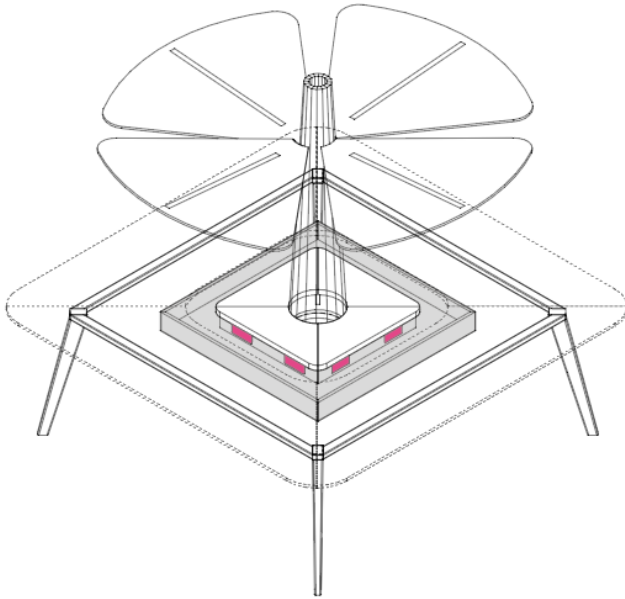
Medley 391 - Medley 392 - Medley 393 - Medley 390 – electrification tray lacquered «Light Blue».

Multicolor nuance RED:

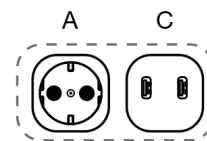
Medley 373 - Medley 394 - Medley 376 - Medley 375 - electrification tray lacquered «China Red».



ELECTRIFICATION



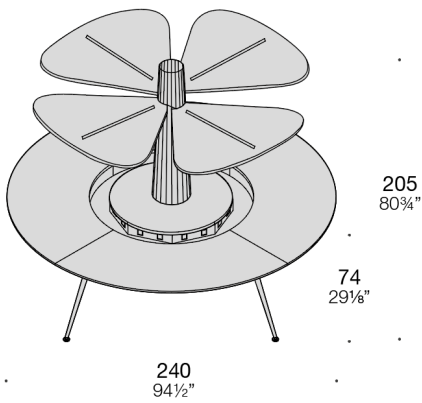
The electrical connection of Square Baobab Table has the same features of Round Baobab, with a recessed tray in lacquered wood panels, where it's possible to install up to 8 multi-sockets.



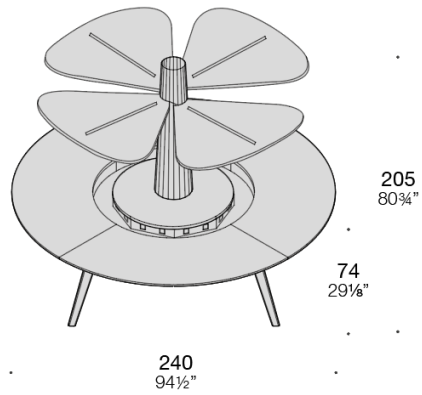
A: 1 x Schuko UE socket

B: 2 x USB charger socket 5V

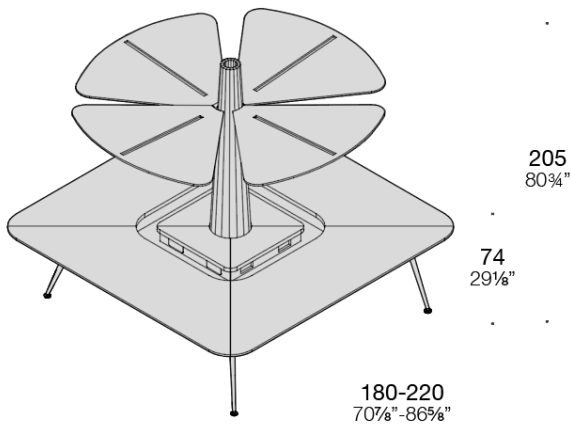
DIMENSIONS



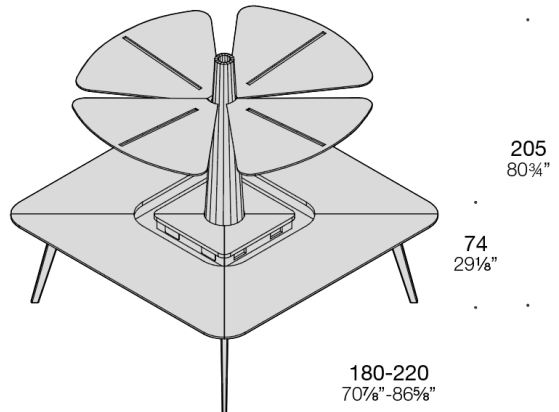
Round P016 Baobab



Round P45 Baobab



Square P016 Baobab



Square P45 Baobab

Rectangular Baobab

Design by Estel R&D

Rectangular Baobab can be declined as a meeting table or a bench desk (in the version without central cone) or as a sharing and reception table (in the version with central cone). The supporting structure can be in painted or chromed metal (P016) or with solid oak legs (P45). The top is available in the following dimensions: 220 (86 $\frac{5}{8}$ ") x 100 cm (39 $\frac{3}{8}$ "), 240 (94 $\frac{1}{2}$ ") x 120 cm (47 $\frac{1}{4}$ ") or 300 (118 $\frac{1}{8}$ ") x 150 cm (59"). Useful complementary open fronted accessory boxes are also available, with dimensions W30 (11 $\frac{3}{4}$ ") - 60 (23 $\frac{5}{8}$ ") x D30 cm (11 $\frac{3}{4}$ ") x H15 (5 $\frac{7}{8}$ ") - 33 cm (13") (with function of flower holder, glove box, document holder).



TECHNICAL FEATURES



P016 structure

The leg consists of a symmetrical couple of die-cast solid profiles connected each other by an elliptical extrusion.

P45 structure

Legs in solid wood Oak; Tubular S/Steel profiles, mm 50x30 (2"x1"1/8), with «L» shaped corner joints, in die-cast iron. Powder coated finish.

Ergo Top

MELAMINE ON MDF

Tops in MDF, th. mm 30 (1 1/8"), with melamine surface; wooden edges with transparent surface coating treatment; rounded corners; countertops feature an elegant inclined thin cut on all sides.

FENIX LAMINATE, VENEER

Tops in Laminate or Veneer, th. mm 30 (1 1/8"); edges in White laminate or Veneer; rounded corners; countertops feature an elegant inclined thin cut on all sides, with transparent surface coating treatment.

Worktop corners are rounded (radius 80).

Central column

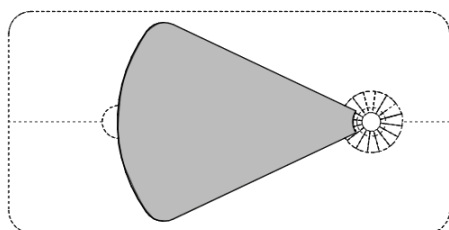
Central column is always in real Oak wood.

Accessory boxes

Available complementary storage boxes that can be used as flowerpots, storage and paperholder, penholder.



TECHNICAL FEATURES



Leaves

Rectangular Baobab 220x100 cm (86"5/8 x 39"3/8).

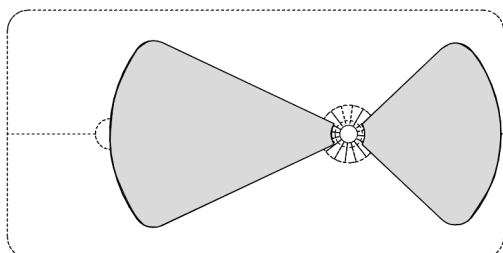
It's possible to order leaves in MONOCHROME solution:

GREEN: Medley 389

BLUE: Medley 391

RED: Medley 373

(not foreseen MULTICOLOR solutions)



Rectangular Baobab 240x120 cm (94"1/2 x 47"1/4)

It supplied with 2 leaves upholstered with Medley fabric, both with integrated LED lamp.

It's possible to order leaves in MONOCHROME solution:

GREEN Medley 389

BLUE Medley 391

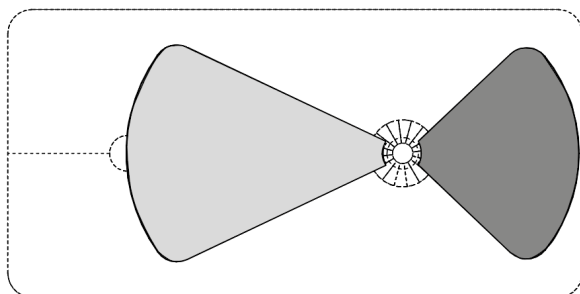
RED Medley 373

Are also foreseen the following MULTICOLOR NUANCES:

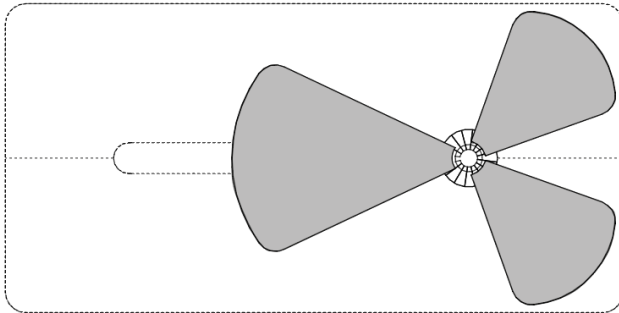
Multicolor nuance GREEN: Medley 389 - Medley 382.

Multicolor nuance BLUE: Medley 391 - Medley 393.

Multicolor nuance RED: Medley 373 - Medley 376.



TECHNICAL FEATURES

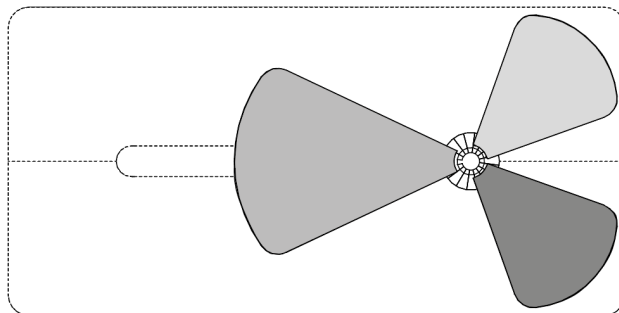


Rectangular Baobab 300x150 cm (118"1/8 x 59")

It is supplied with 3 leaves upholstered with Medley fabric, all with integrated LED lamp.

It's possible to order leaves in MONOCHROME solution:

GREEN Medley 389 – BLUE Medley 391 –
RED Medley 373



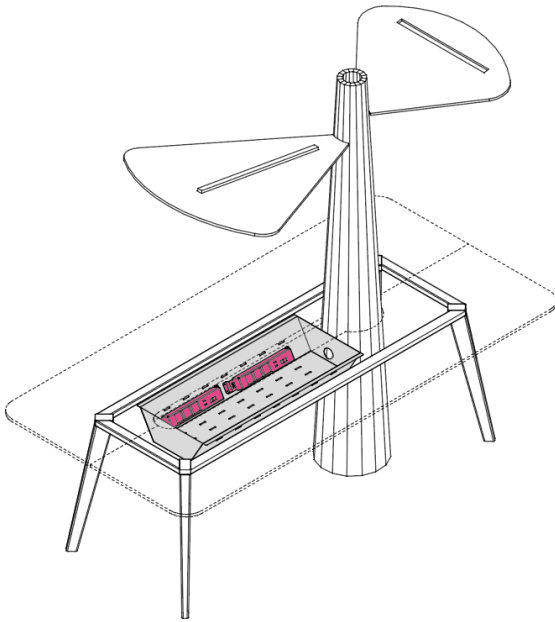
Are also foreseen the following MULTICOLOR NUANCES:

Multicolor nuance GREEN: Medley 386 -
Medley 389 - Medley 382.

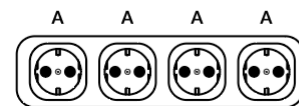
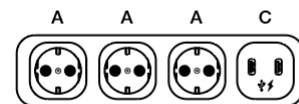
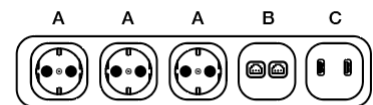
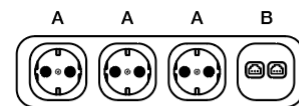
Multicolor nuance BLUE: Medley 391 -
Medley 392 - Medley 393.

Multicolor nuance RED: Medley 373 -
Medley 394 - Medley 376.

ELECTRIFICATION



Rectangular Baobab tables feature a large central opening, that allows access to the metal cable tray, placed undertop, where multi-sockets can be installed.

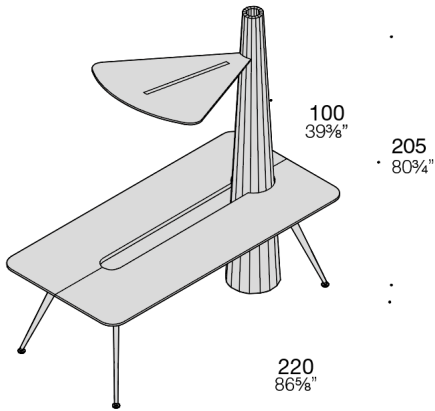


A: 1 x Schuko UE socket

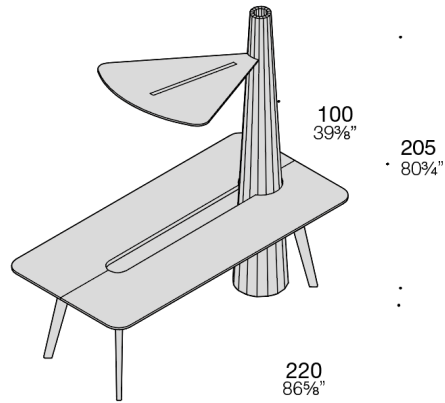
B: 2 x RJ45 coupler socket
cat.6 (data/telephone)

C: 2 x USB charger socket 5V

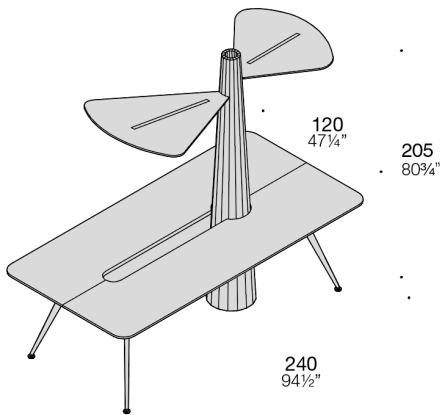
DIMENSIONS



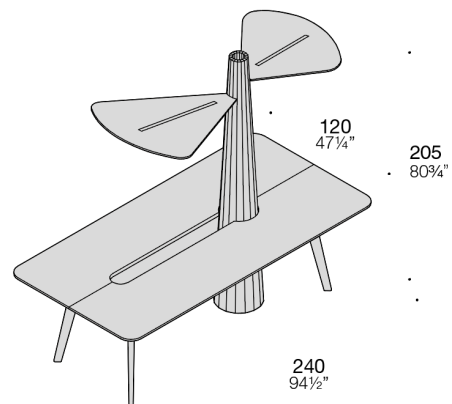
Rectangular P016 Baobab



Rectangular P45 Baobab

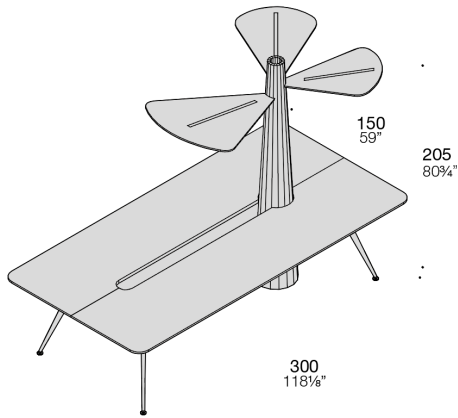


Rectangular P016 Baobab

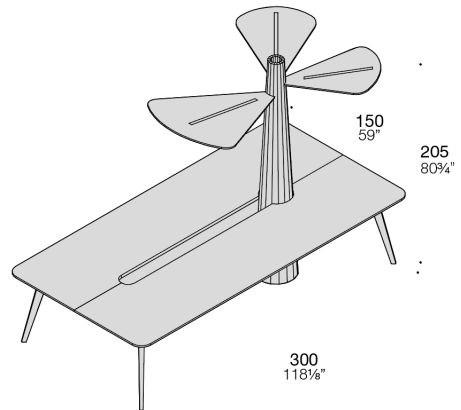


Rectangular P45 Baobab

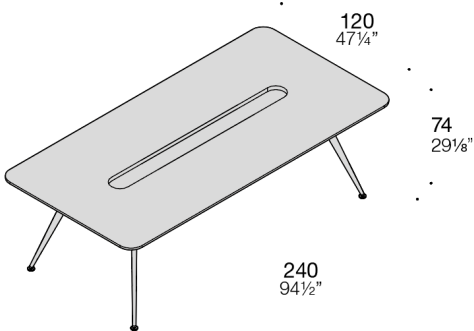
DIMENSIONS



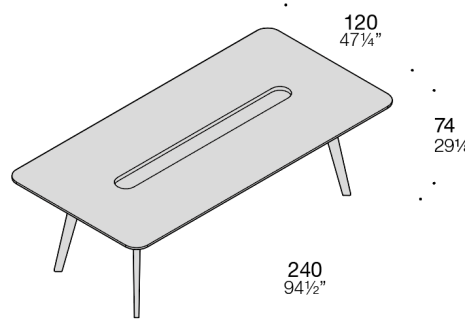
Rectangular P016 Baobab



Rectangular P45 Baobab

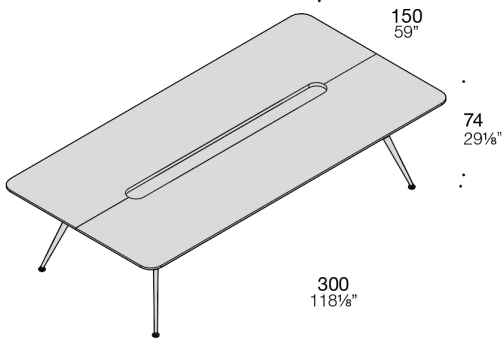


Rectangular P016 Baobab

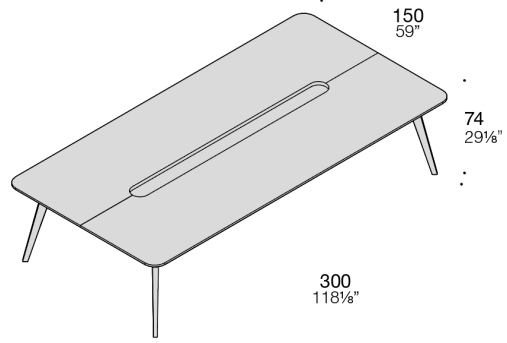


Rectangular P45 Baobab

DIMENSIONS

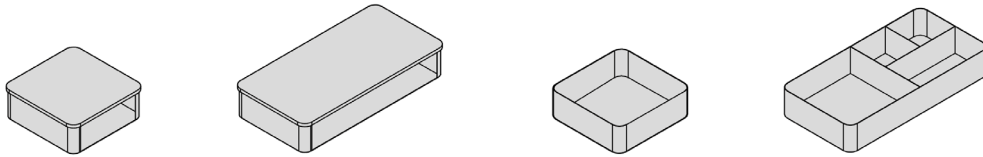


Rectangular P016 Baobab

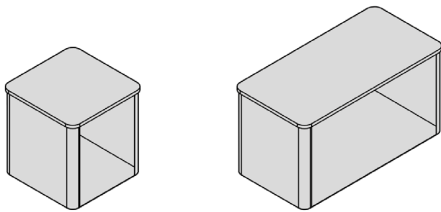


Rectangular P45 Baobab

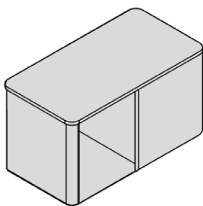
ACCESSORIES



H15 ($5\frac{7}{8}$ ") Accessories box - storage unit



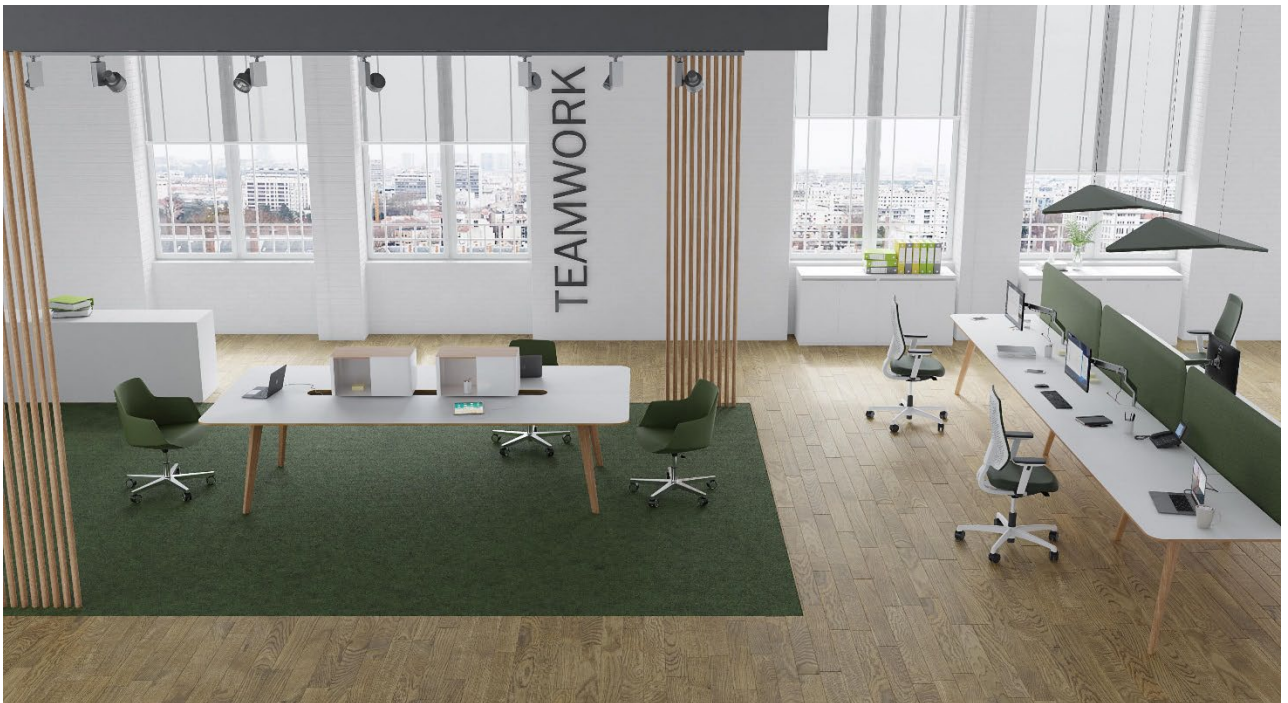
H30 ($11\frac{3}{4}$ ") Accessories box - storage unit



W60 ($23\frac{5}{8}$ ") Double-face accessories box



Rectangular Baobab - meeting



Rectangular Baobab - bench

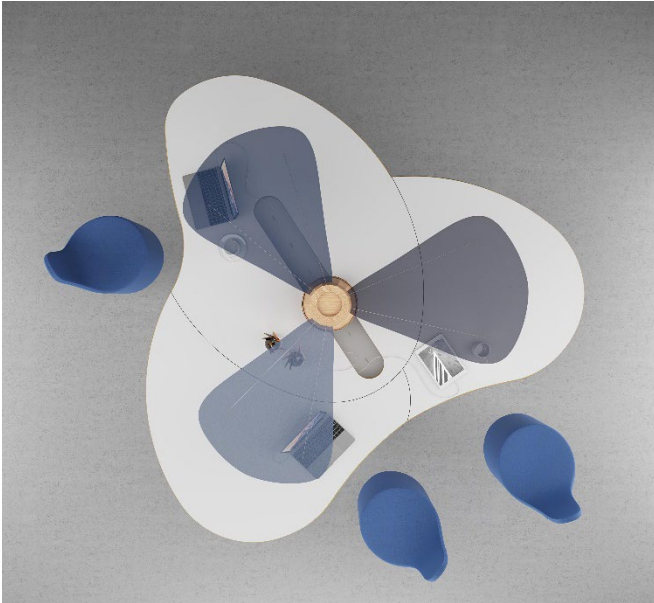
Baobab arcipelago

Design by Estel R&D

Baobab Arcipelago is the new amazing evolution of Baobab family: Ergowood countertops (in melamine on MDF with inclined edges and visible core) are declined in dynamic and “smart” forms; the iconic Oak trunk is still lasting, with its leaves with integrated LED lamp; finally, all is joined to the elegant P45 structure, with real Oak wooden leg. Compositions are available in two sizes (6 or 8 seats), that can be combined and used as sharing tables, meeting tables, hot desks, or receptions/hospitality tables of high visual impact.



TECHNICAL FEATURES



P016 structure

The leg consists of a symmetrical couple of die-cast solid profiles connected each other by an elliptical extrusion.

P45 structure

Legs in solid wood Oak; Tubular S/Steel profiles, mm 50x30 (2"x1" 1/8), with «L» shaped corner joints, in die-cast iron. Powder coated finish.

Ergo Top

MELAMINE ON MDF

Tops in MDF, th. mm 30 (1 1/8"), with melamine surface; wooden edges with transparent surface coating treatment; rounded corners; countertops feature an elegant inclined thin cut on all sides.

FENIX LAMINATE, VENEER

Tops in Laminate or Veneer, th. mm 30 (1 1/8"); edges in White laminate or Veneer; rounded corners; countertops feature an elegant inclined thin cut on all sides, with transparent surface coating treatment.

Worktop corners are rounded (radius 80).

Central column

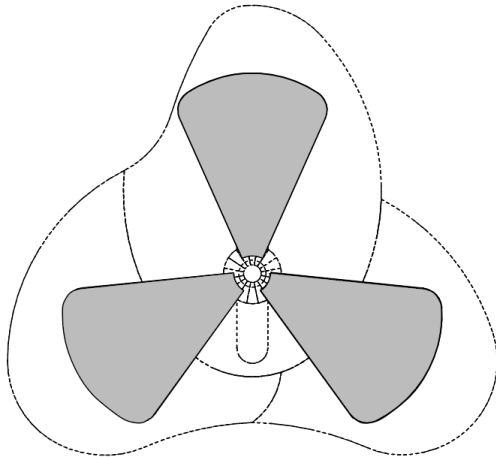
Central column is always in real Oak wood.

Accessory boxes

Available complementary storage boxes that can be used as flowerpots, storage and paperholder, penholder.



TECHNICAL FEATURES



Leaves

Leaves are supplied with three/four leaves upholstered with Medley fabric, all with integrated LED lamp.

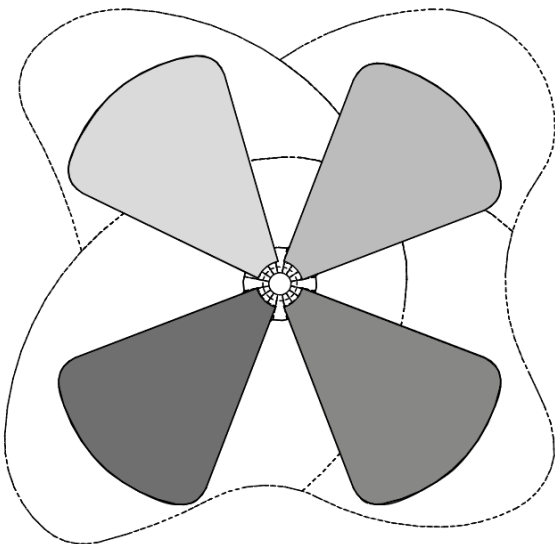
It's possible to order leaves in MONOCHROME solution:

MONOCHROME GREEN: Medley 389

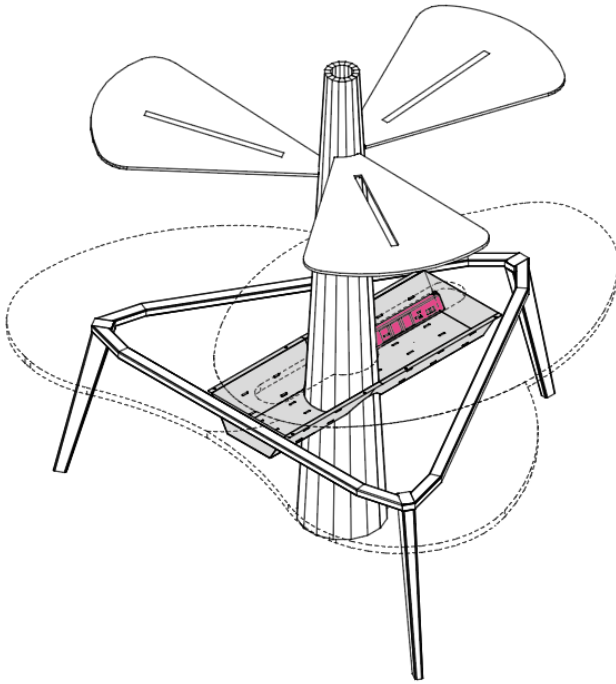
MONOCHROME BLUE: Medley 391

MONOCHROME RED: Medley 373

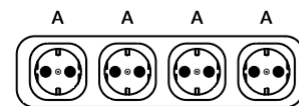
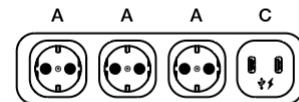
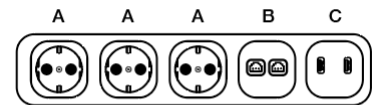
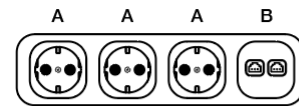
Are also foreseen MULTICOLOR NUANCES.



ELECTRIFICATION



Baobab Arcipelago, like Rectangular Baobab, feature a large central opening, that allows access to the metal cable tray, placed undertop, where multi-sockets can be installed

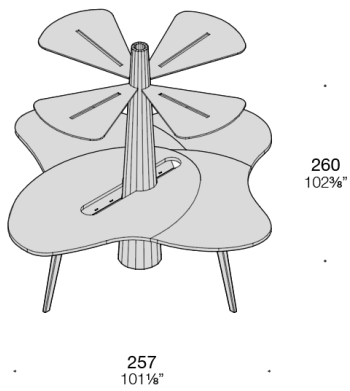


A: 1 x Schuko UE socket

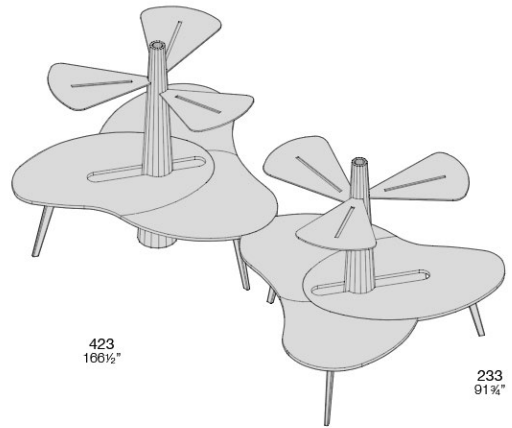
B: 2 x RJ45 coupler socket
cat.6 (data/telephone)

C: 2 x USB charger socket 5V

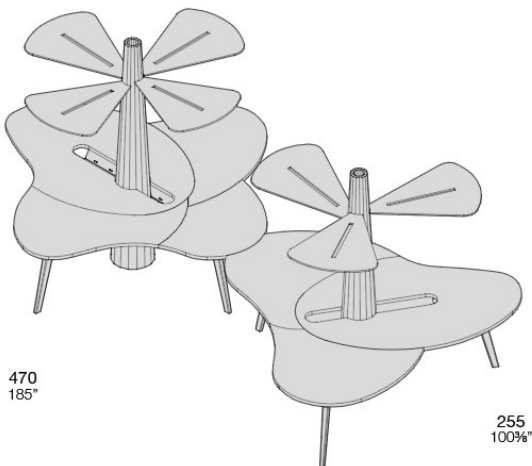
DIMENSIONS



Baobab Arcipelago table - 8 seats



Baobab Arcipelago table - 12 seats



Baobab Arcipelago table - 14 seats



HEADQUARTER

Estel Group srl
Via Santa Rosa 70
36016 Thiene (VI) – Italy
Tel. +39 0445 389611
Fax +39 0445 808801
www.estel.com

The information shown in this document is based on the latest published price lists. The Company reserves the right to modify the products without prior notice.

ESTEL rev. 03_07/2019
