

«SIT & STAND» WORKSTATIONS

EVO HP desks system is characterized by an essential tubular aluminum structure with rectangular section; it is integrated with an electronic lifting system: with a simple click the countertop can be raised from 60 cm to 125 cm from f.f.l. It allows to switch from sitting to standing position at work.

The control button of lifting system is integrated in the worktop; the system is provided with an anti-crushing safety function.

Bench compositions, with sound-proof fabric frontal screens, guarantees the maximum privacy for each employee.

EVO HP can be integrated with several accessories such as top access, accessories bar, monitor arms, CPU holder, screen panels, vertical cable holder, cable trays, whiteboards. Screen panels are also available in writable surface finish, mounted in connection with lifting worktop;

TECHNICAL FEATURES

Countertop: thickness 30 mm; available in several dimensions: L140/160/180xW80 cm; made of chipboard panels with anti-scratch and anti-reflective melamine surfaces. With G90 edge in ABS sp. 2,5 mm, or with Ergo edge (only on user side).

Structure: made of tubular metal profiles, painted finish. Cable/sockets integration is realized with a steel mesh tray. The electrical outlets are placed on a metal cover. Under the top access is placed a metal mesh tray.

Electrical connection

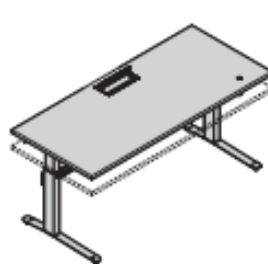
Electrical connection of worktop is possible thanks to the top access and it allows to access to the electrical outlets grill.

Finishes:

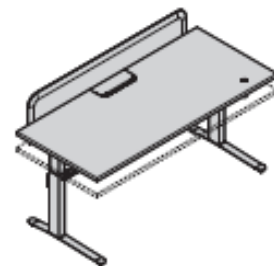
Single Desk/Bench worktop: «G90» Melamine finish; «Ergo» Melamine/Laminate on MDF core, Snow White or Oak finish;

Structure: metal painted White Snow;

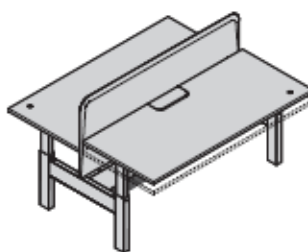
Screen Panels: «Smart Office» fabrics cat. B, F, G, L.



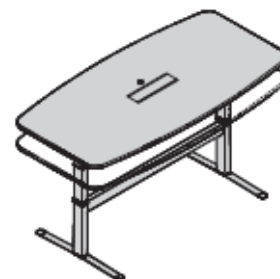
Single Desk



Single Desk with screen panel



Bench
2-4-6 workplaces



Meeting Table
Executive Desk



«G90» Edge



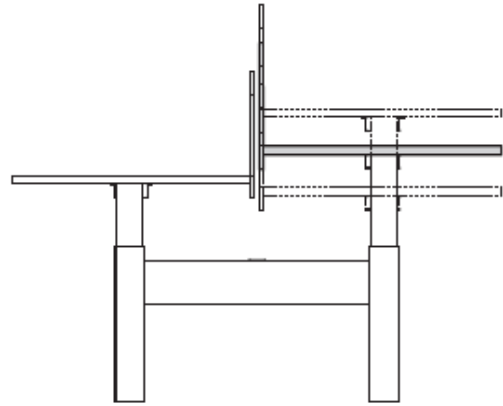
«Ergo» edge
(only on user side)



Bases in painted metal profiles, with adjustable feet. Metal cross-beam profile with rectangular section. Lifting columns with metal structure, three.

SIT&STAND REGULATION

The lifting system of worktop allows to alternate from a sitting position to a standing position. The state-of-art lifting columns have surprising high power, speed and silent movement; they are managed by an electronic control box. The command button is integrated on the worktop. System is equipped with a security anti-crushing function. The elevation range of the countertop: 60-125 cm from the floor level.



ELECTRICAL CONNECTIONS

Electrical connections are realized through a top access that is situated on the countertop, it allows to access to the cable tray where electrical outlets are installed.

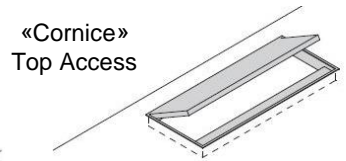
On benches, cable connection is realized on a steel mesh tray, sockets can also be mounted on lower metal carter.

Top Access «Cornice»: it is available for single desks;

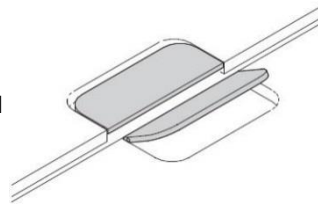
Top Access «Pivot»: available as standard for benches and single desk equipped with a frontal screen panel;

Double Side Top Access: it is available for meeting table.

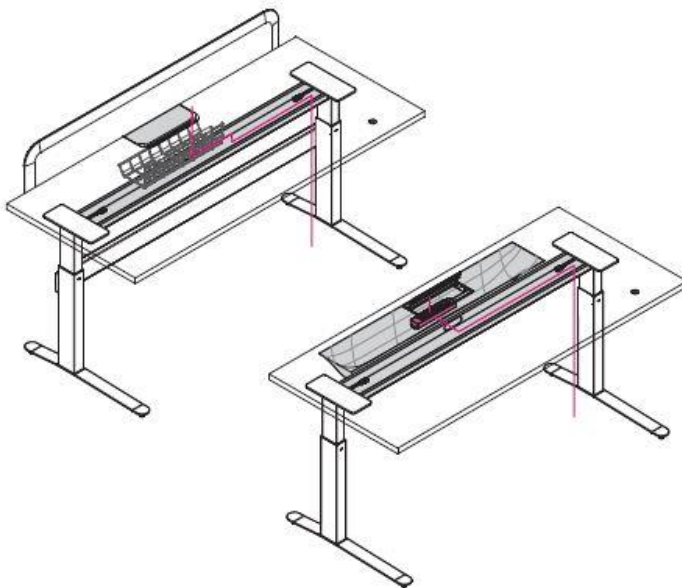
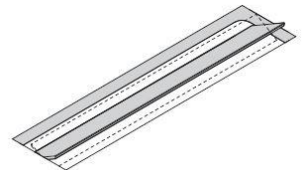
«Cornice»
Top Access



«Pivot»
Top Access



Double-side
Top Access

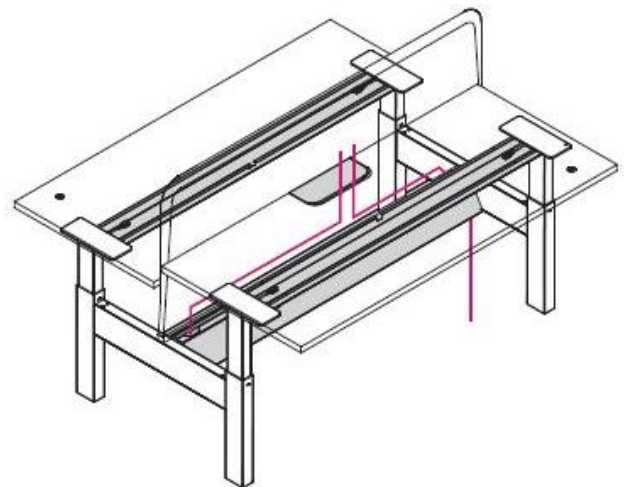


SINGLE DESK WITH SCREEN PANEL

Cable connection is realized with «pivot» top access, that allows the connection with under-top mesh grille with sockets.

SINGLE DESK WITHOUT SCREEN PANEL

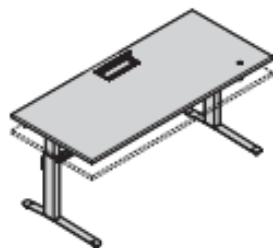
Electrification system for single desk is made with “Cornice” top access and thermoformed cable tray upholstered in fabric. The cable tray has also the function of modesty panel.



BENCH

On benches, cable connection is realized on a steel mesh tray, sockets can also be mounted on lower metal carter.

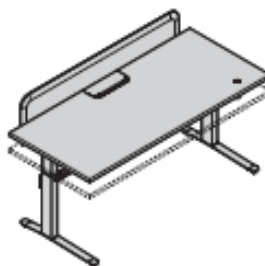
Single desk



L 140 x W 80 cm
L 160 x W 80 cm
L 180 x W 80 cm

H 60-125 cm

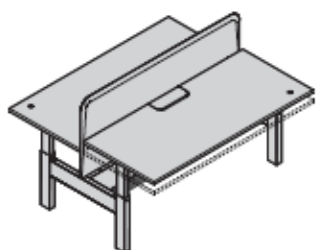
Single desk with screen panel



L 140 x W 80 cm
L 160 x W 80 cm
L 180 x W 80 cm

H 60-125 cm

Bench



L 140 x W 163,5 cm
L 160 x W 163,5 cm
L 180 x W 163,5 cm

H 60-125 cm

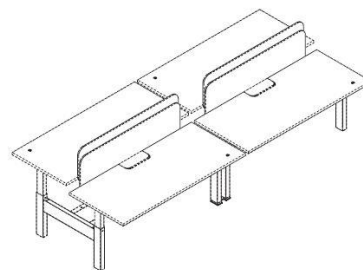
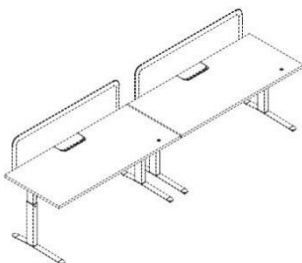
Executive Desk / Meeting Room



L 220 x W 90/110 cm
L 280 x W 100/120 cm

H 60-125 cm

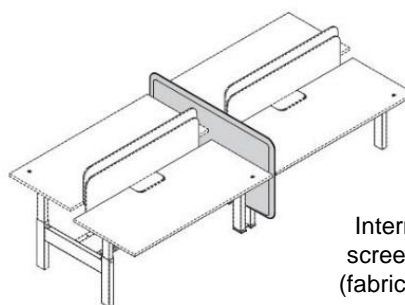
Single desks and benches can be connected using the connection kit, available in price list, to create multiple workplaces.



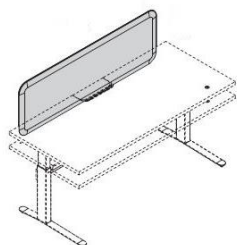
SCREEN PANELS

EVO HP system features a wide range of screen panels, with different functions and finishes:

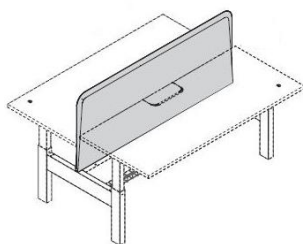
- Screen panels for single desk, lifting together with worktop (upholstered in Smart Office fabric);
- Fixed screen panels for benches (upholstered in Smart Office fabric);
- Lifting screen panels (upholstered in Smart Office fabric or in writable melamine);
- Intermediate or side screen panels (upholstered in Smart Office fabric or in glass).



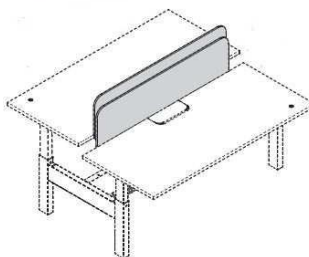
Intermediate screen panels (fabric or glass)



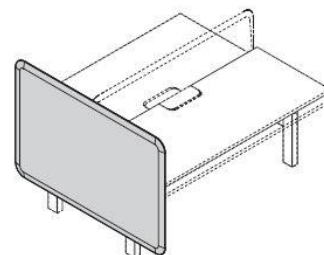
Upholstered screen panel for single desk



Fixed screen panel for benches



Double screen panel in writable melamine finish

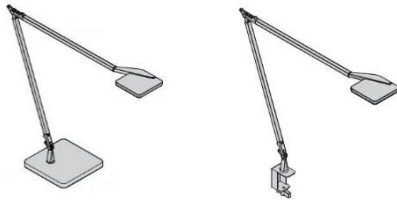
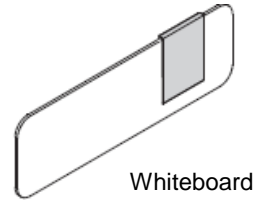
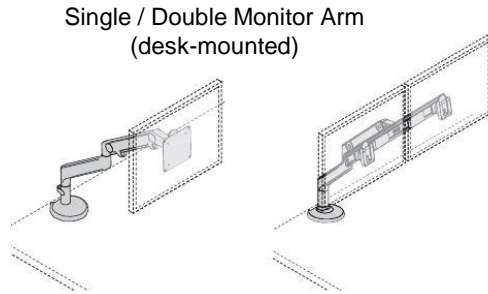
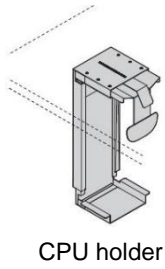


Side screen panels (fabric or glass)

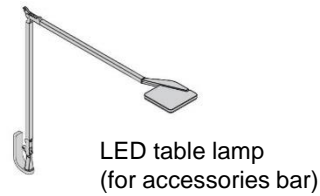
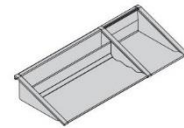
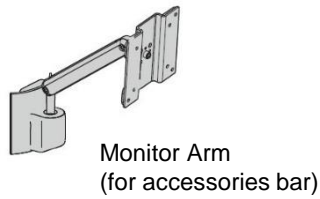
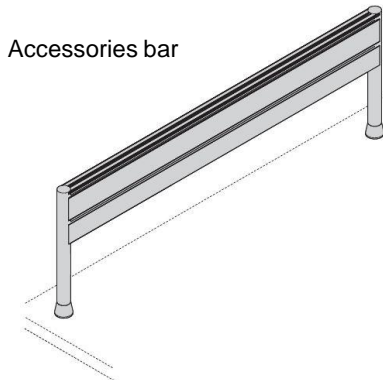
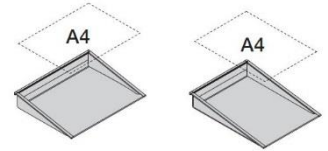


ACCESSORIES:

Various accessories are available to complete the equipment of the desks: top access, storage compartments, monitor arms, CPU holder, screen panels, vertical cable holders, cables trays, whiteboards.



LED table lamp
(with base or clamp)



Organizer
(for accessories bar)