

# Embrasse Lounge

Design by Jorge Pensi

Lounge version of the rich Embrasse family, recognizable by its thick seat and two back heights. The base can be mounted on a conical tube or on a plate.



# TECHNICAL FEATURES



## Backrest and armrests structure

The frame structure of backrest and armrests is made of 12 mm thick cross multi-layered Poplar wood. The wood is upholstered with a TNT layer coupled with rubber to make the touch softer.

## Seat structure

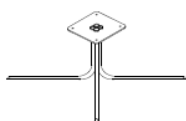
The seat shell is composed by a frame in welded metal with elastic spring bands where the backrest and the armrests connections are concealed. The padding is a cold mould foam.

## Upholstery

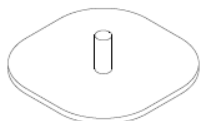
Fabric cat. B-F-G-L, leather, extra leather

## Base

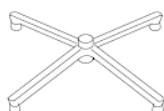
- Cross-shaped base, Chromed or powder coated Matt Carbon Glacè conical tubular frame;
- Plate base, chromed semi circular base plate;
- Four-star base, in polished or chromed aluminum on feet.



Base a croce.



Base a piastra.

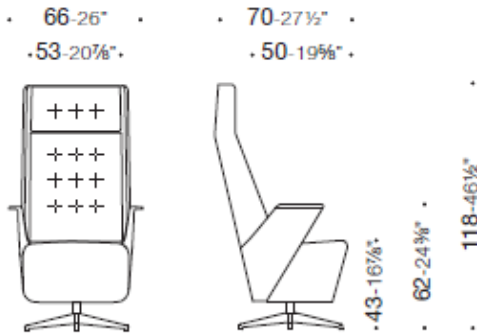


Base a 4 razze.

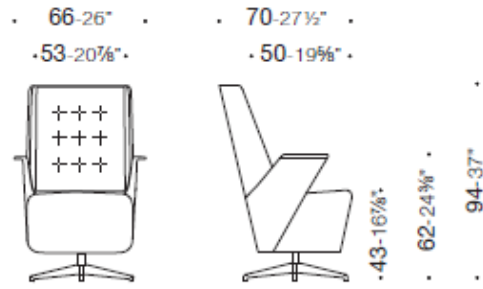
## Mechanism

Harmonic mechanism: with an oscillating movement and a pleasant swing which increases the comfort.

# DIMENSIONS



Embrasse, lounge chair with high backrest



Embrasse, lounge chair with medium backrest

## Accessori



Couple of USB charger powered by a 10.000 mah power bank



Embrasse lounge chair with medium backrest and armrests



Leather Embrasse lounge chair with high backrest



Embrasse Lounge with high backrest and plate base and Embrasse Lounge with medium backrest and cross-shaped base.



## **HEADQUARTER**

Estel Group srl  
Via Santa Rosa 70  
36016 Thiene (VI) – Italy  
Tel. +39 0445 389611  
Fax +39 0445 808801  
[www.estel.com](http://www.estel.com)

The information shown is based on the latest published pricelists. Estel reserves the right to make any necessary changes to the products shown at any time without notice.

**ESTEL rev. 04\_06/2020**

---