

Cassettiere

Design by Estel R&D

wooden pedestals

The new pedestals have design details similar to Deck Storage units: top and base of high thickness, 45° cuts on joints of structural panels and fronts, integrated handles. All drawers are supplied with castors; all items are available in two different height (50 cm - 19⁵/₈ " and 65 cm - 25⁵/₈ ") and are available in two versions: drawers and/or filing cabinet.



TECHNICAL FEATURES



Structure

Structure made of chipboard panels with a thickness of 18 mm (3/4") (sides, top, bottom, drawer fronts) or 12 mm (1/2") (backs).

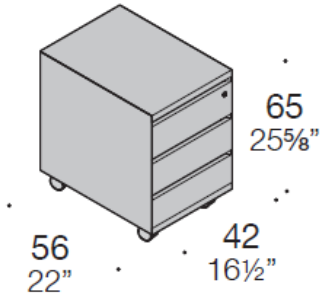
Drawers

Internal structure entirely in Light Grey melamine; integrated handle on fronts.

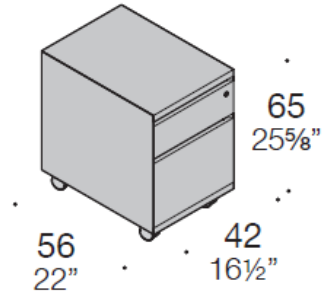
It is possible to combine different finishes for the structure and front of drawers.



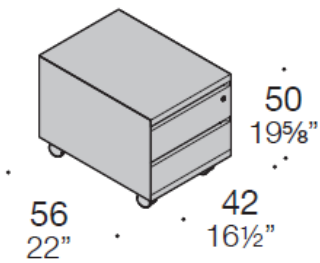
DIMENSIONS



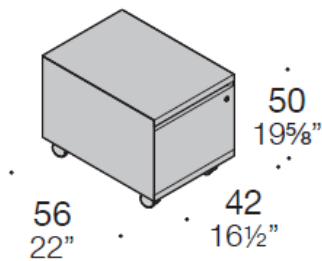
Pedestal on castors with 3 drawers



Pedestal on castors with drawer and filing cabinet/storage



Pedestal on castors with 2 drawers



Pedestal on castors with filing cabinet/storage

Cassettiere

Design by Estel R&D

metal pedestals

Structure and fronts are in epoxy powder coated metal sheet. Drawer pedestals are available with archetto handle, integrated front handle or integrated side handle. Accessories: pencil drawer with runners fixed under the top: 35 € (only 7C910/12/14/16); pencil tray is inside the drawer.



TECHNICAL FEATURES



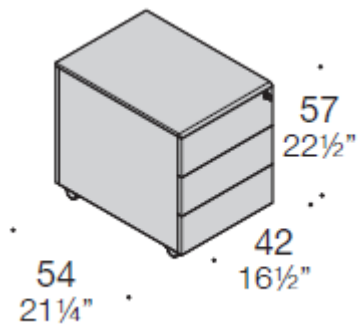
Structure

Structure in epoxy powder coated metal sheet..

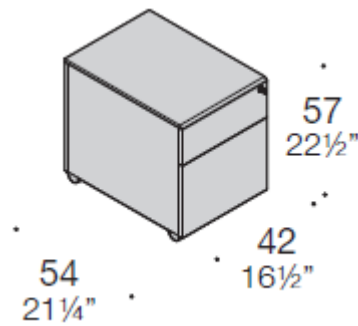
Accessories

Extractable pencil drawer on under-top guides (only 7C910/12/14/16).

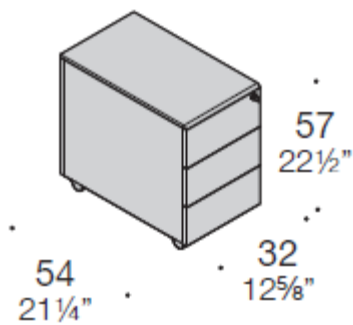
DIMENSIONS



Pedestal on castors with 3 drawers and side handle

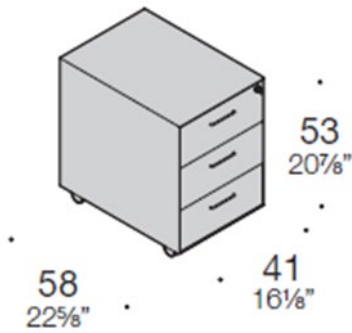


Pedestal on castors with 1 drawer + filing cabinet and side handle

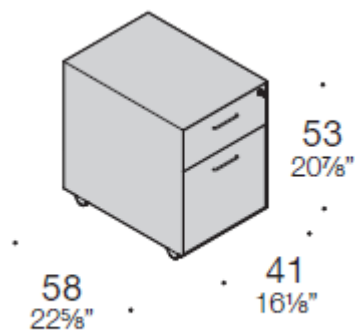


W32 (12 5/8 ") Pedestal on castors with 3 drawers and side handle

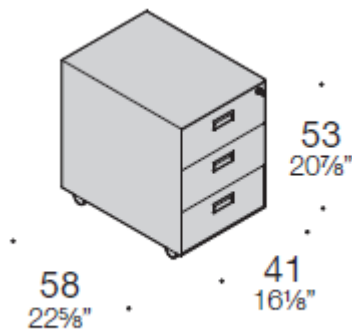
DIMENSIONS



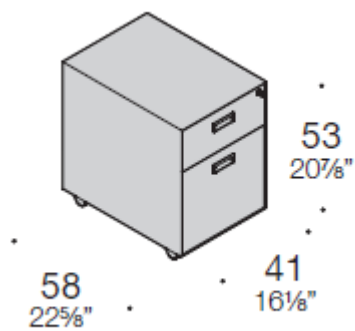
Pedestal with "Archetto" handle with 3 drawers



Pedestal with "Archetto" handle with 1 drawer + 1 filing cabinet

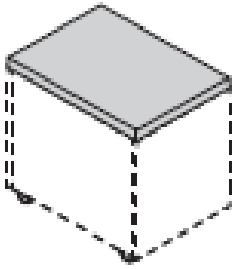


Pedestal with integrated handle with 3 drawers

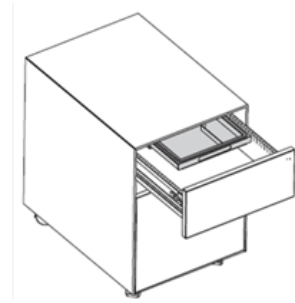


Pedestal with integrated handle with 1 drawer + 1 filing cabinet

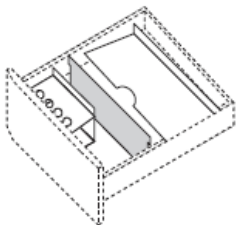
ACCESSORIES



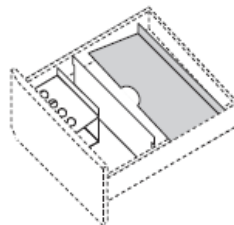
Cushion



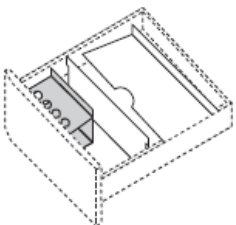
Extensible pencil tray with under top runners



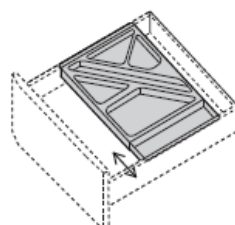
Vertical divider



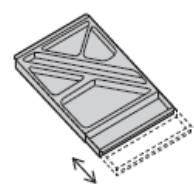
Sheets holder



Stamps holder



Extensible pencil tray





HEADQUARTER

Estel Group srl
Via Santa Rosa 70
36016 Thiene (VI) – Italy
Tel. +39 0445 389611
Fax +39 0445 808801
www.estel.com

The information shown in this document is based on the latest published price lists. The Company reserves the right to modify the products without prior notice.

ESTEL rev. 03_11/2019
