

P016

Design by Estel R&D

P016, the new Estel array, features an iconic die-cast aluminium leg that supports operative and executive desks, available in a wide range of solutions: rectangular, elliptical, circular. Worktops are available in melamine, melamine on mdf, veneer, glass, ceramic. Legs are available in varnished or chromed finish. Tables can integrate numerous accessories, like top access, accessories bars, monitor arms, CPU holder, screen panels, cable holders, cable trays, whiteboards. The result is a series of elegant, light and multiform products, thanks to a design of international and contemporary style.



TECHNICAL FEATURES



Piani

ERGO EDGE
MELAMINE ON MDF

Tops in MDF, th. mm 30 (1 $\frac{1}{8}$ "), with melamine surface; wooden edges with transparent surface coating treatment; rounded corners; countertops feature an elegant inclined thin cut on all sides.

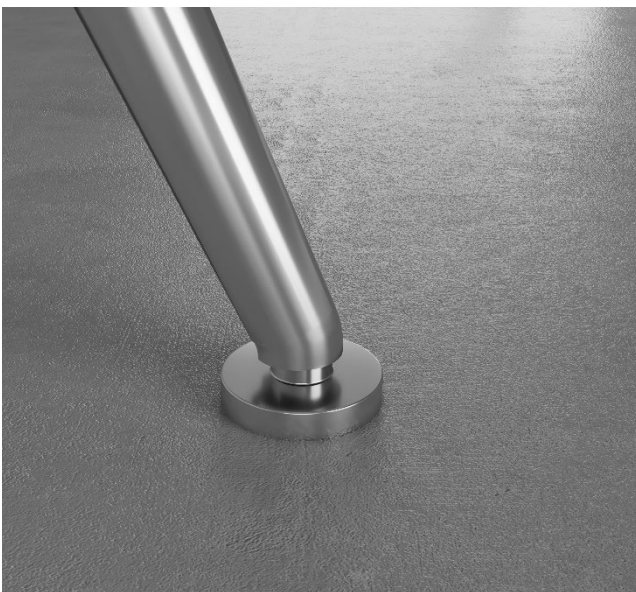
ERGO EDGE
FENIX LAMINATE, VENEER

Tops in Laminate or Veneer, th. mm 30 (1 $\frac{1}{8}$ "); edges in White laminate or Veneer; rounded corners; countertops feature an elegant inclined thin cut on all sides, with transparent surface coating treatment.

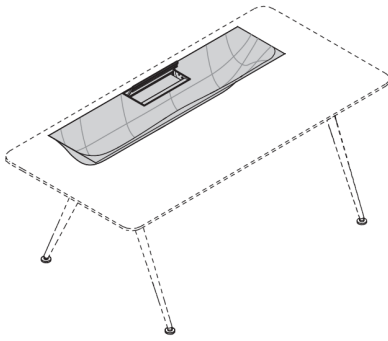
Worktop corners are rounded (radius 80).

Legs

The leg consists of a symmetrical couple of die-cast solid profiles connected each other by an elliptical extrusion.

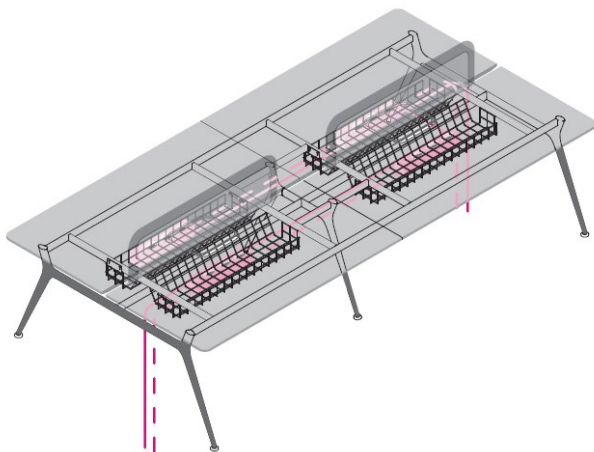


ELECTRIFICATION

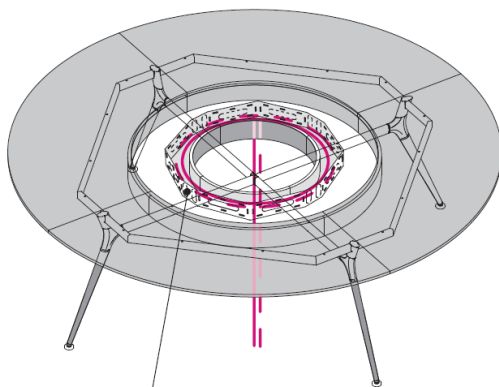


Single desk

Cornice top access with thermoformed cable tray for single desk.
The thermoformed cable and plugs tray with modesty panel function is upholstered in fabric.



Bench

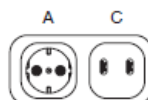


Lamiera forata
Perforated metal sheet

Tavoli meeting

Sharing meeting table are arranged with Type 12 socket. Table 160x160 (63"x63") can be provided with already installed 4-sockets kit into the compartment.

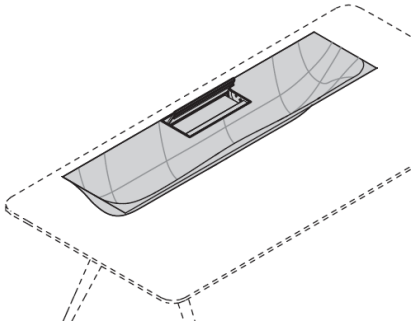
Tables 200x200 (78¾"x78¾") and 240x240 (94½"x94½") can be either provided with already installed 4-sockets kit or 8-sockets kit into the compartment.



A. Schuko - UE socket

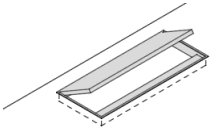
C. n° 2 USB charger socket 5V

ELECTRIFICATION

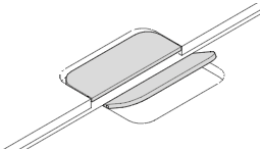


Top access

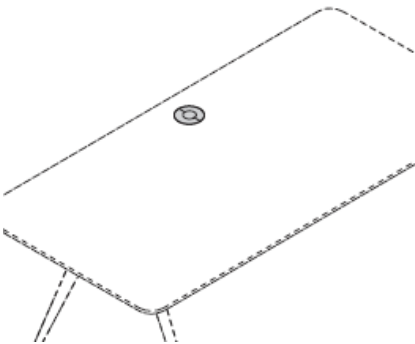
Cornice top access with thermoformed cable tray for single desk



Cornice top access for single desk

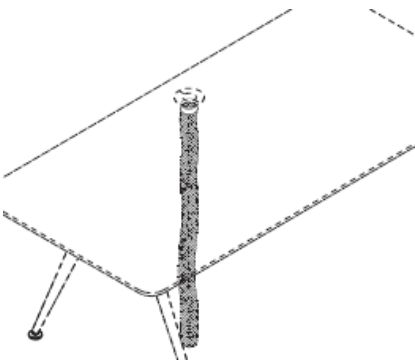


Pivot top access for bench



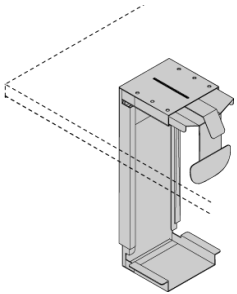
Cable management

Cable outlet for single desk

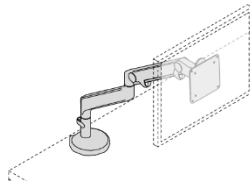


Cable management tube

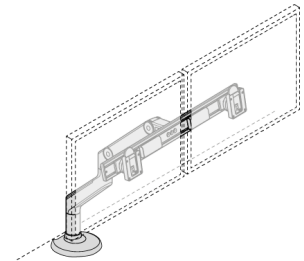
ACCESSORIES



CPU holder with extensible support



Single monitor holder



holder

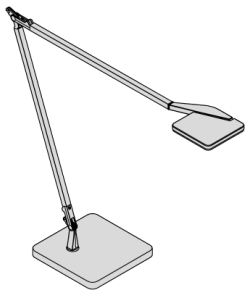
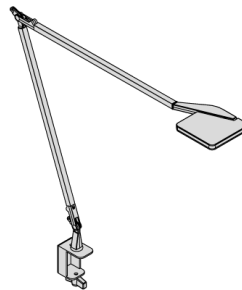
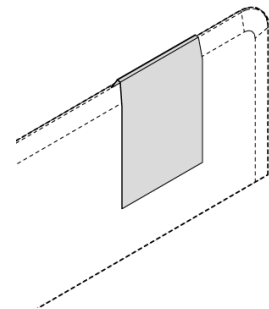


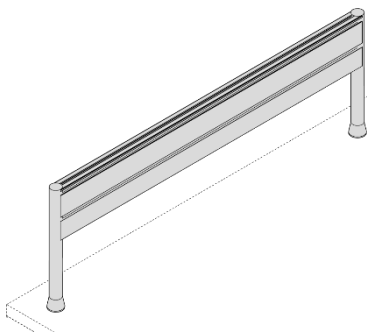
Table lamp



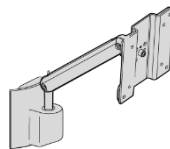
Clamp lamp



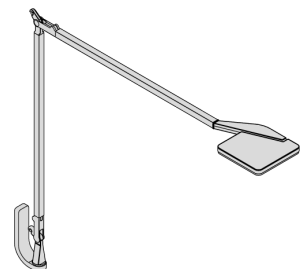
Whiteboard for screen panel



Accessory bar

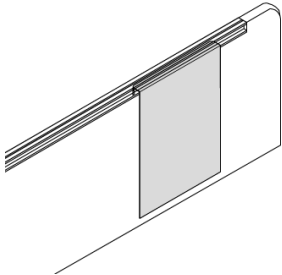


Monitor holder for bar

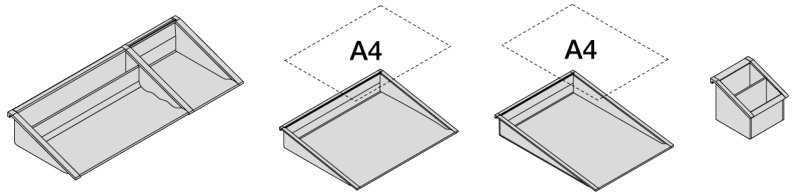


LED lamp for bar

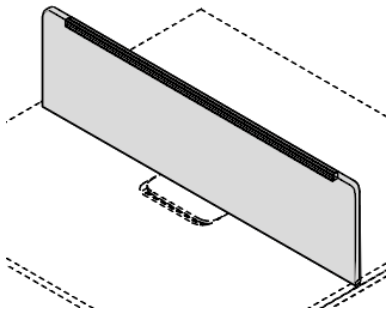
ACCESSORIES



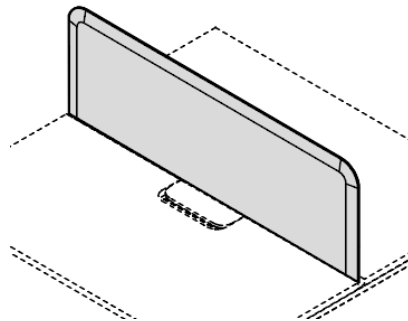
Whiteboard for screen panel with aluminium frame



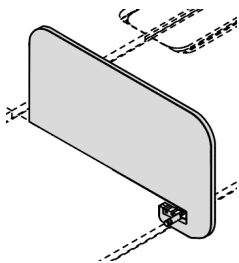
Accessories for bar



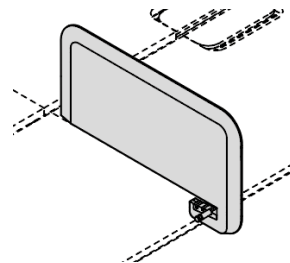
Frontal screen panel with aluminium frame



Frontal screen panel

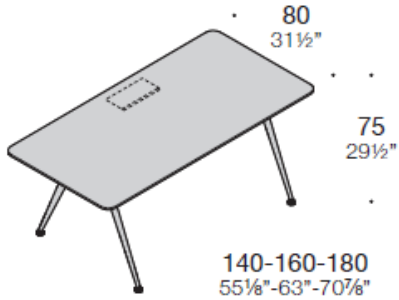


Side screen panel with hook

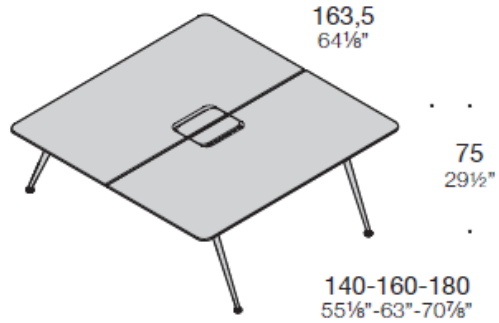


Side screen panel with hook

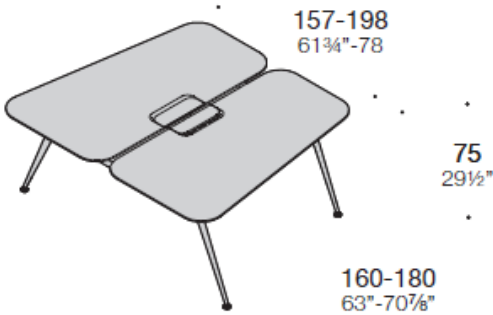
DIMENSIONS



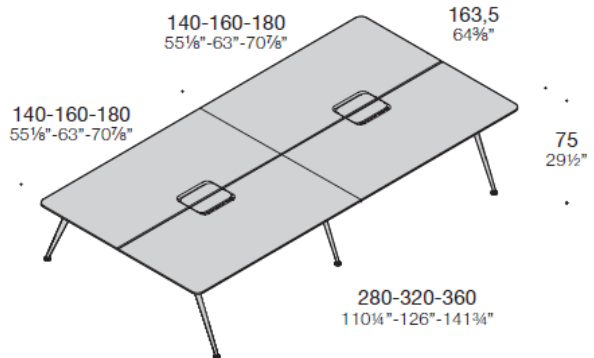
Single desk



2 seater bench with pivot top access and cable trays

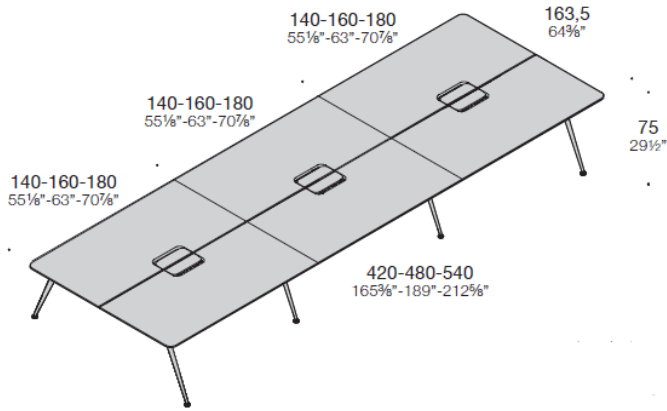


2 seater bench with pivot top access and cable trays

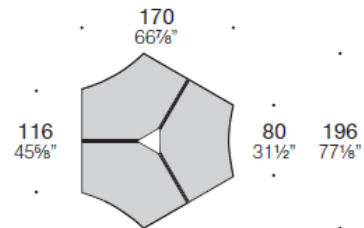
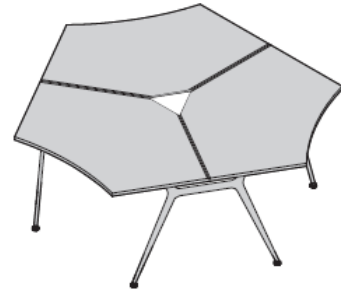


4 seater bench with pivot top access and cable trays

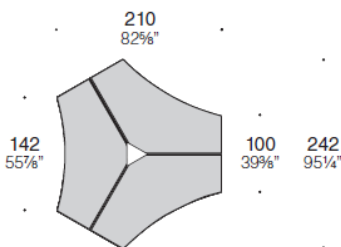
DIMENSIONS



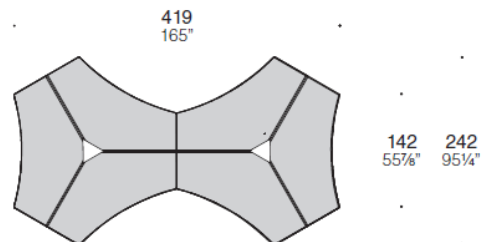
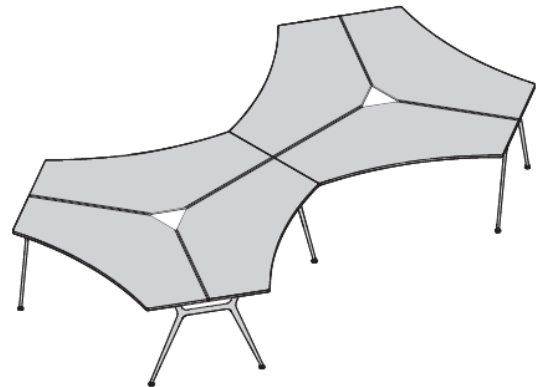
6 seater bench with pivot top access and cable trays



3 seater bench with metal cable tray

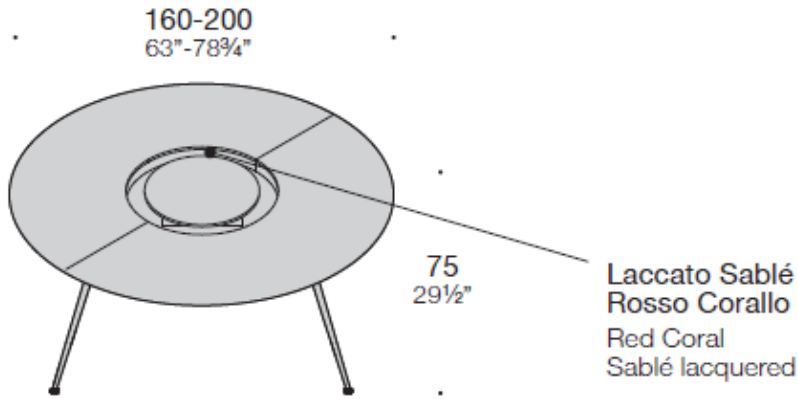


3 seater bench with metal cable tray

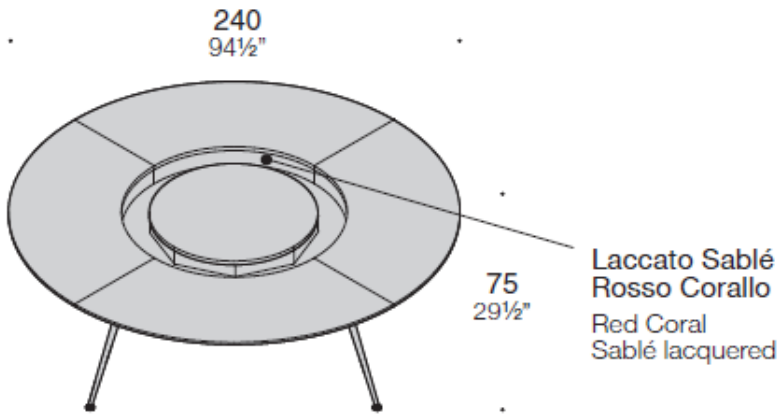


6 seater bench with metal cable trays

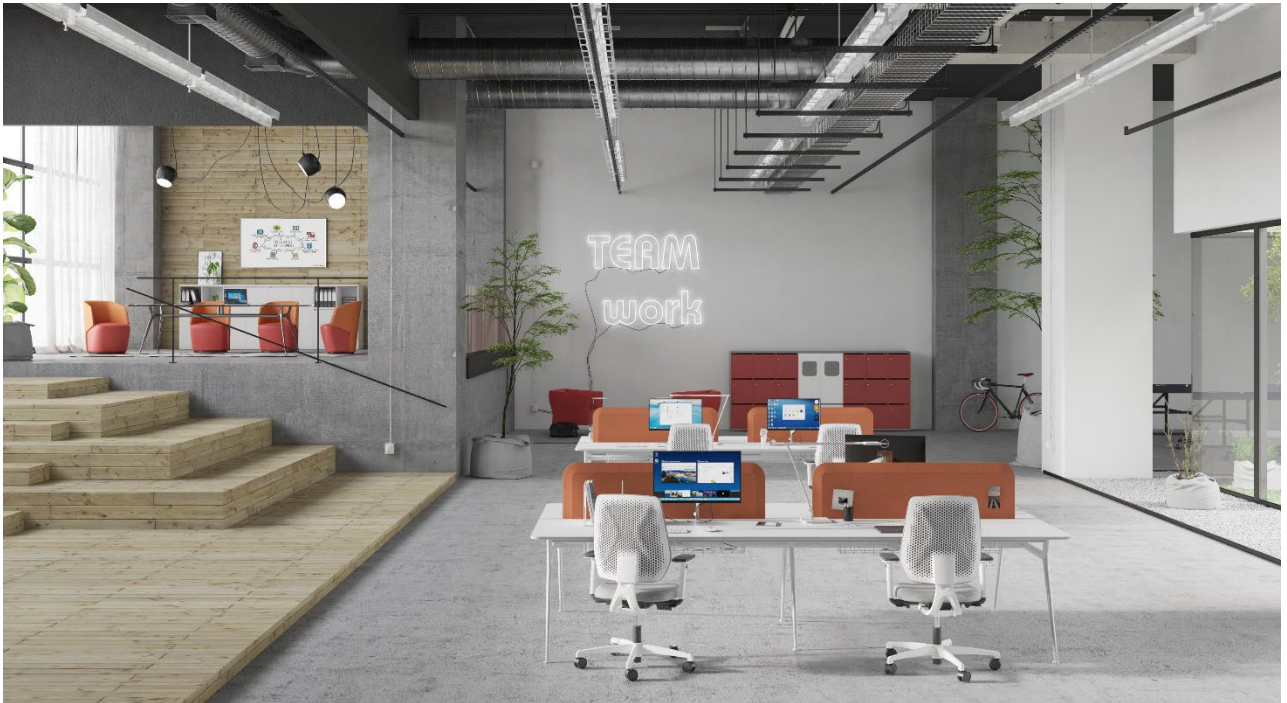
DIMENSIONS



Sharing-Meeting table



Sharing-Meeting table



Bench – 4 seats



Bench – 6 seats



Meeting table



Meeting table



Bench – exagonal 3 seats



Bench – exagonal 6 seats

Certifications

UNI EN 527-1 Dimensional requirement

UNI EN 527-2 Safety, strength and durability requirements



HEADQUARTER

Estel Group srl
Via Santa Rosa 70
36016 Thiene (VI) – Italy
Tel. +39 0445 389611
Fax +39 0445 808801
www.estel.com

The information shown in this document is based on the latest published price lists. The Company reserves the right to modify the products without prior notice.

ESTEL rev. 03_07/2019
