

# Deck

Design by Estel R&D

Range of open front storage units or with sliding or hinged door. The high possibility of different finishes makes the perfect for operative or executive offices. Two different depth (38 - 15" or 50 cm - 19<sup>5</sup>/<sub>8</sub> ") and three different height (75 (29<sup>1</sup>/<sub>2</sub> ") - 125 (49<sup>1</sup>/<sub>4</sub> ") - 198 (78") cm) are available. Modules have a width of 40 (15<sup>3</sup>/<sub>4</sub> "), 80 (31<sup>1</sup>/<sub>2</sub> "), 120 cm (47<sup>1</sup>/<sub>4</sub> ") or 160 cm (63"). All storage units are equipped with lock. Filing cabinets must be wall-mounted.



## TECHNICAL FEATURES

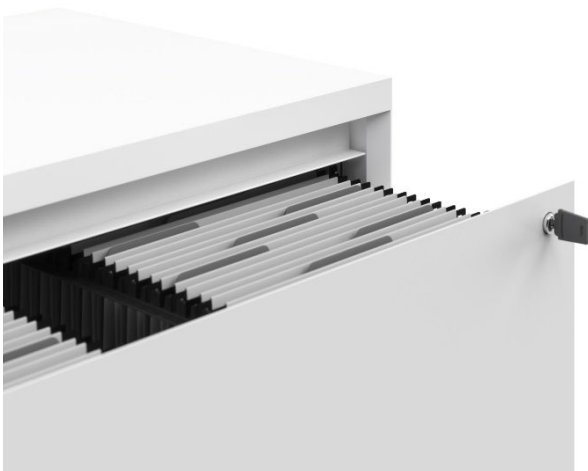


### Structure

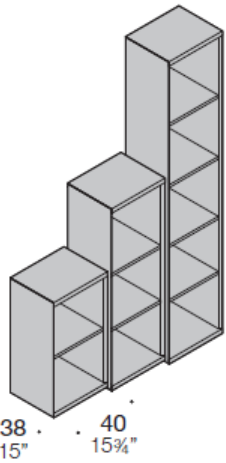
Made of chipboard panels; top and bottom sp. 30 mm, back th. 18 mm, shelves th. 30 mm. Available in Melamine, Sablè Lacquered, Wood Veneer finish.

### Doors and drawers fronts

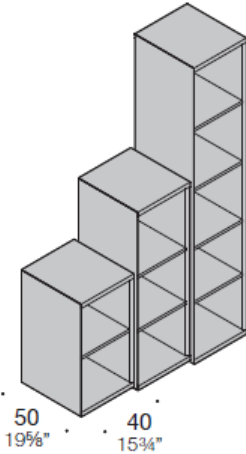
Made of chipboard panels th. 18 mm. Available in Melamine Sablè Lacquered, Wood Veneer finish. Also available, storage units with glazed doors: glass door are always surrounded by wood veneer frames.



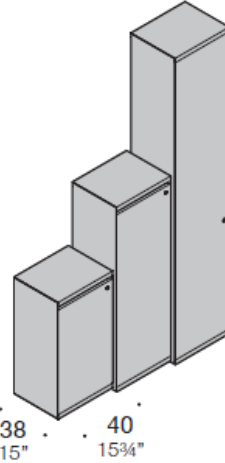
# DIMENSIONS



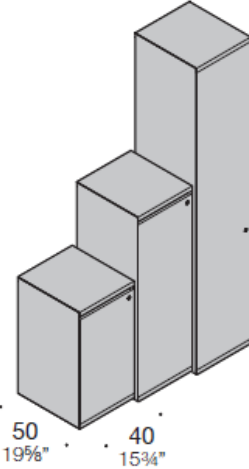
W40 (15 3/4 ") open front storage units



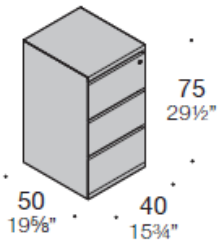
75-125-198  
29 1/2"-49 1/4"-78"



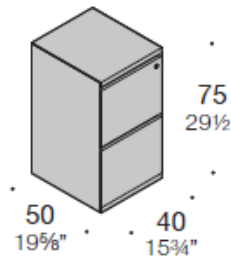
W40 (15 3/4 ") storage units with hinged doors



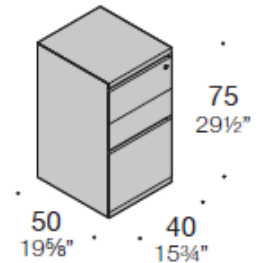
75-125-198  
29 1/2"-49 1/4"-78"



W40 (15 3/4 ") storage units with 3 drawers

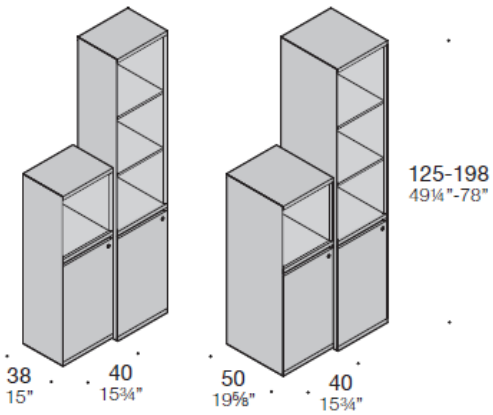


W40 (15 3/4 ") storage units

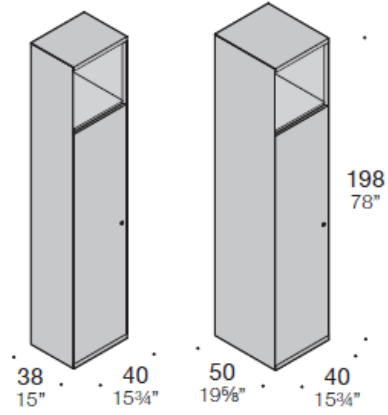


W40 (15 3/4 ") storage units

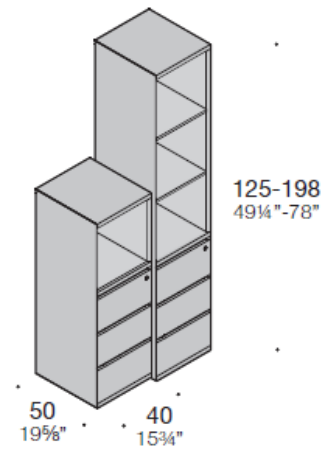
# DIMENSIONS



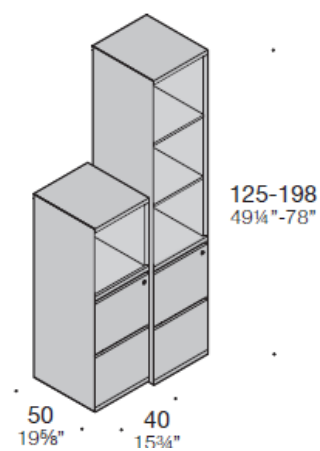
W40 (15 3/4 ") storage units



W40 (15 3/4 ") storage units

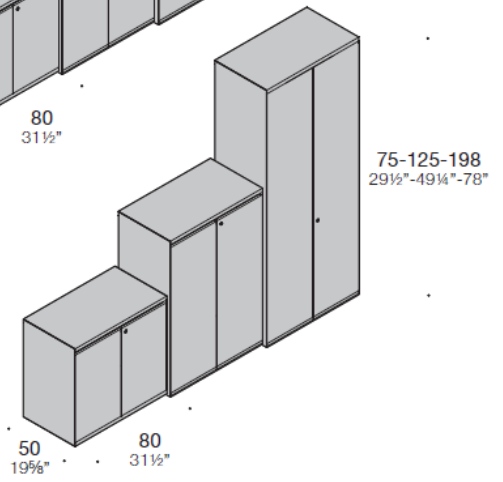
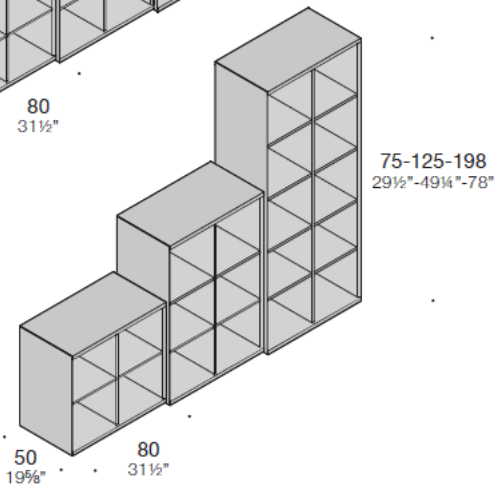
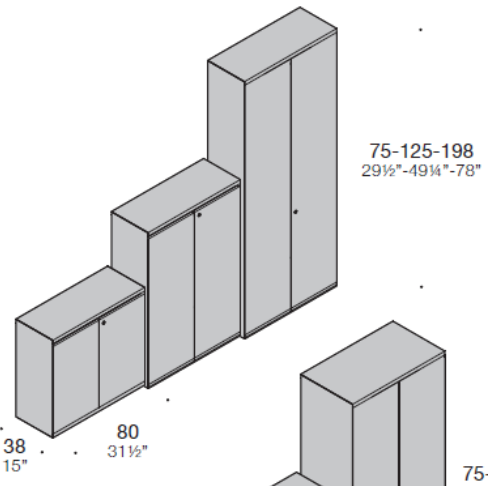
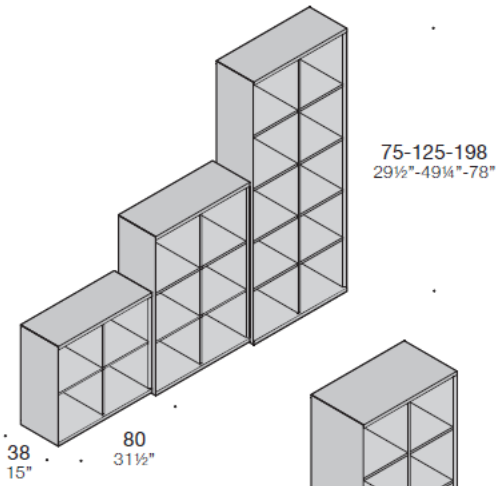


W40 (15 3/4 ") storage units



W40 (15 3/4 ") storage units

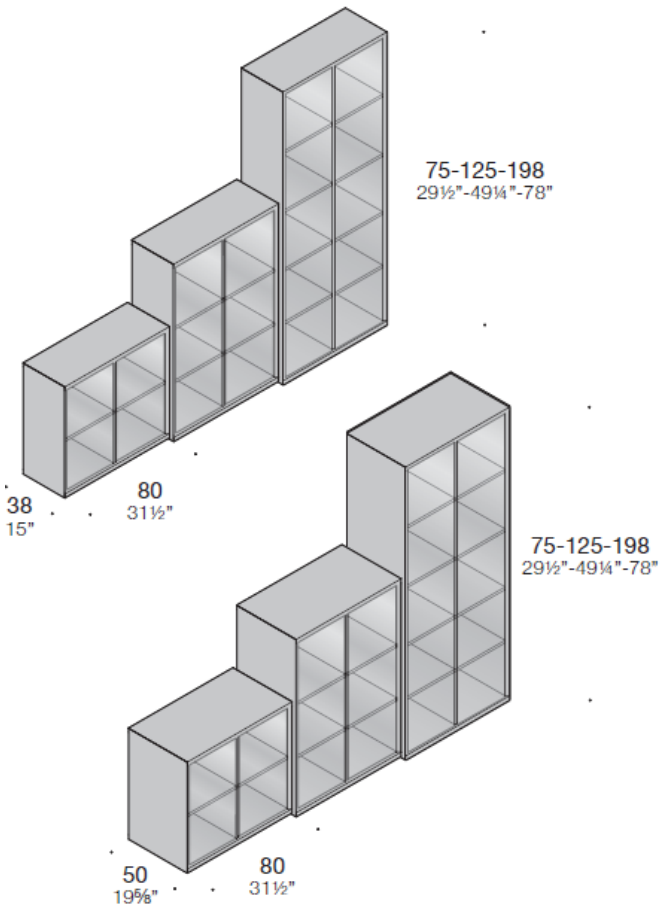
# DIMENSIONS



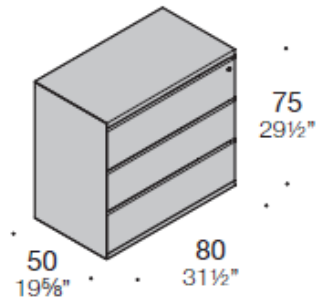
W80 (31½ ") storage units

W80 (31½ ") storage units

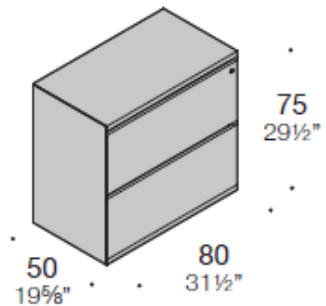
# DIMENSIONS



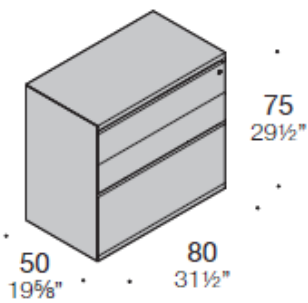
W80 (31½ ") storage units



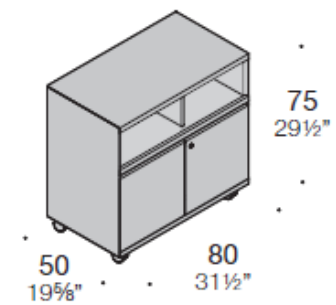
W80 (31½ ") storage units



W80 (31½ ") storage units

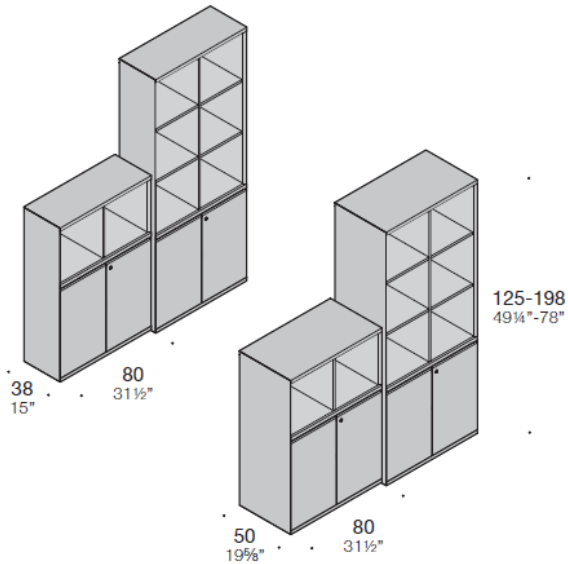


W80 (31½ ") storage units

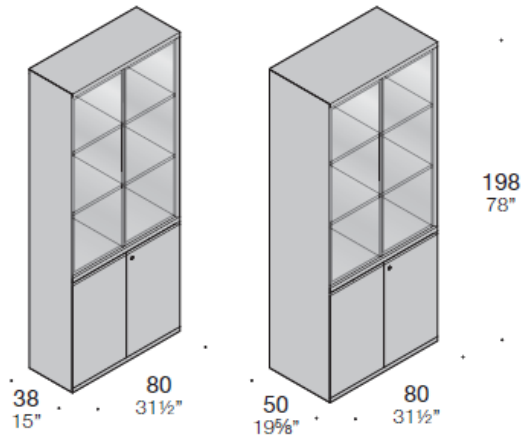


W80 (31½ ") storage units

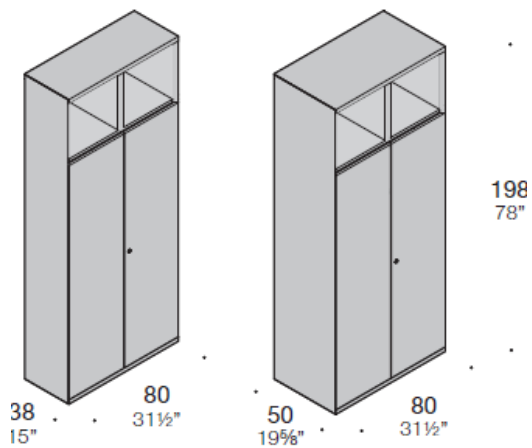
# DIMENSIONS



W80 (31½ ") storage units

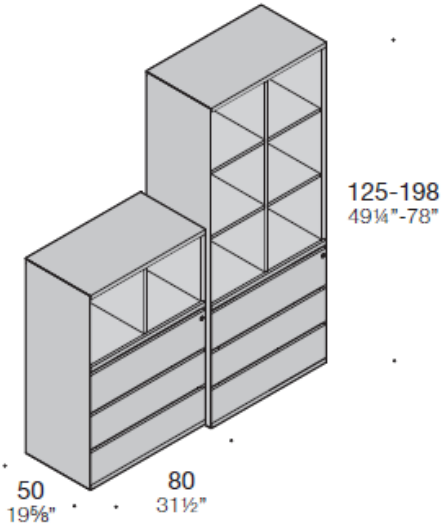


W80 (31½ ") storage units

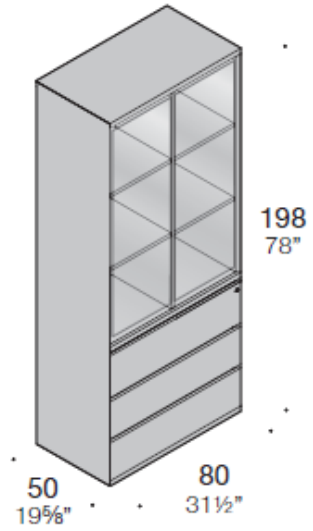


W80 (31½ ") storage units

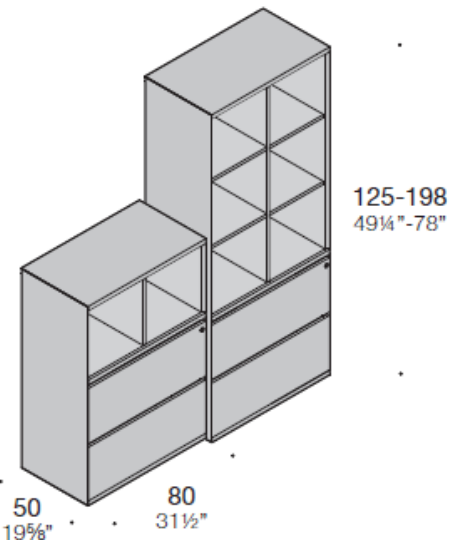
# DIMENSIONS



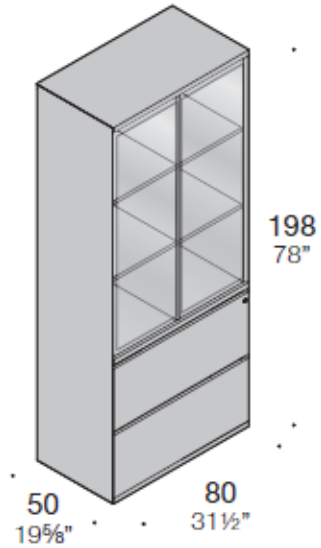
W80 (31 1/2 ") storage units



W80 (31 1/2 ") storage units



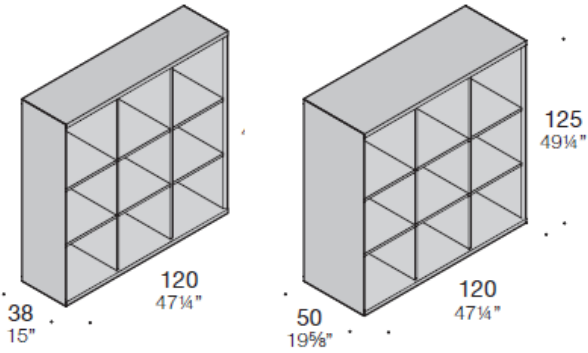
W80 (31 1/2 ") storage units



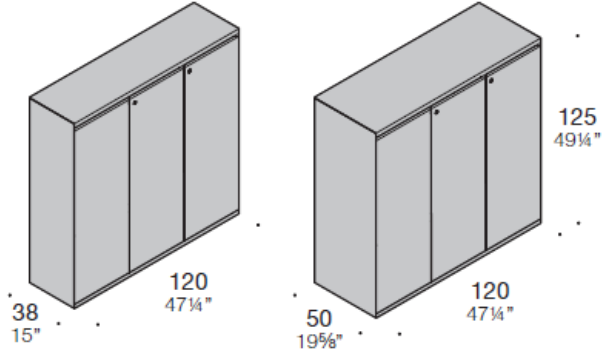
W80 (31 1/2 ") storage units



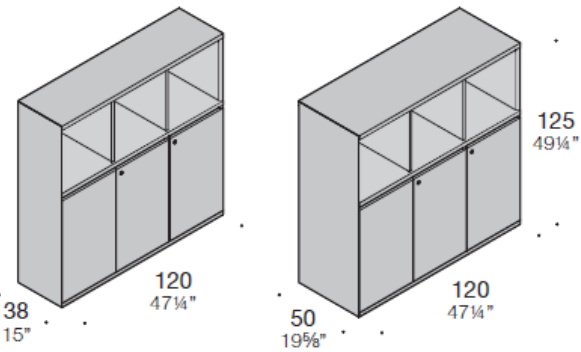
# DIMENSIONS



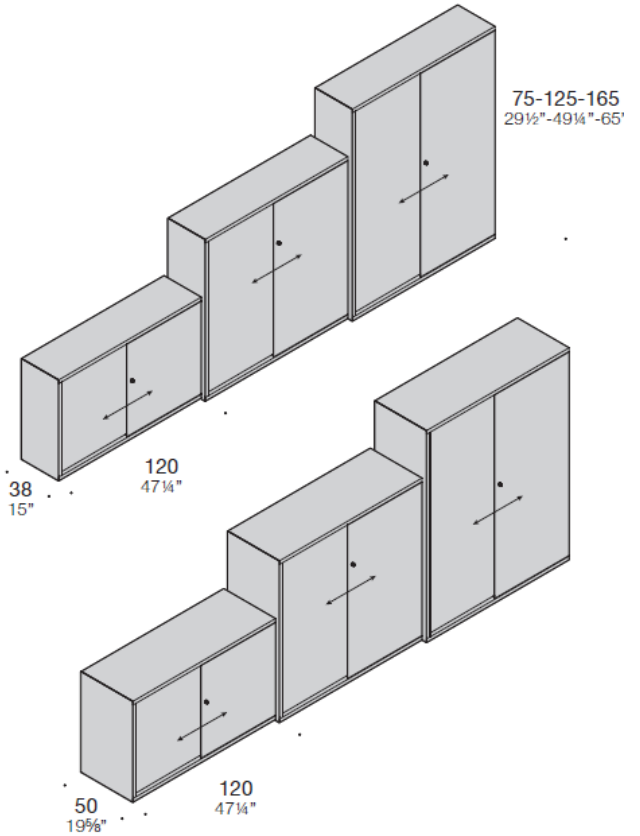
W120 (47 1/4 ")



W120 (47 1/4 ")

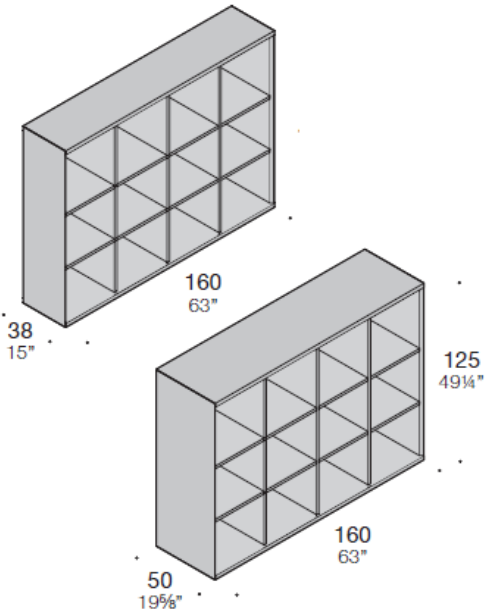


W120 (47 1/4 ")

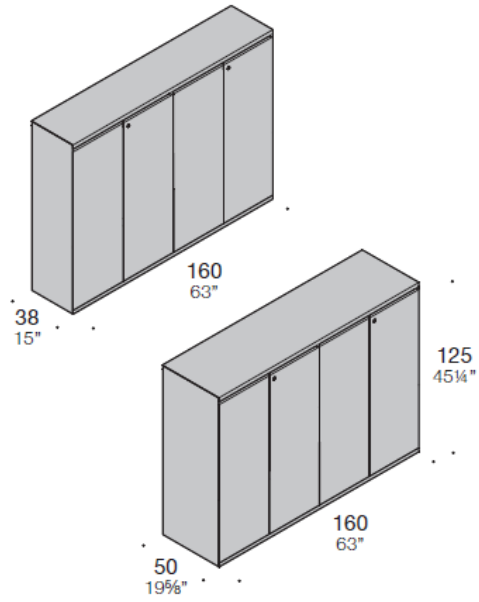


W120 (47 1/4 ")

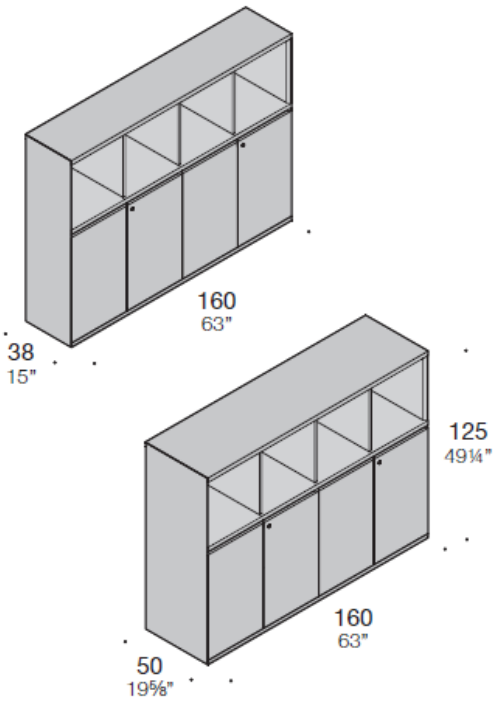
# DIMENSIONS



W160 (63")



W160 (63")



W160 (63")







## **HEADQUARTER**

Estel Group srl  
Via Santa Rosa 70  
36016 Thiene (VI) – Italy  
Tel. +39 0445 389611  
Fax +39 0445 808801  
[www.estel.com](http://www.estel.com)

The information shown in this document is based on the latest published price lists. The Company reserves the right to modify the products without prior notice.

**ESTEL rev. 03\_11/2019**

---